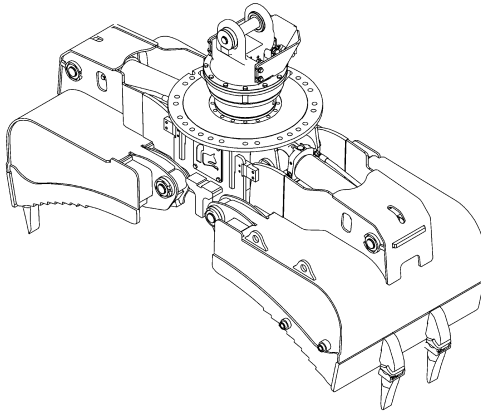




# Power Attachment

## RPA4570B with rotator RT-504



<b>Opening</b>	84 5/8 in. (2149 mm)
<b>Closing</b>	5 1/4 in. (133 mm)
<b>Volume</b>	0.75 cubic yards    .57 cubic meters
<b>Area tip to tip</b>	N/A
<b>Rotator lifting capacity</b>	50000 lb (22680 kg)
<b>Torque at relief pressure</b>	18630 in.lb (2105 Nm)    @ 1450 psi (100 bars)
<b>Steel* thickness</b>	1/2" (13 mm)
<b>Weight</b>	2870 lb (1302 kg)

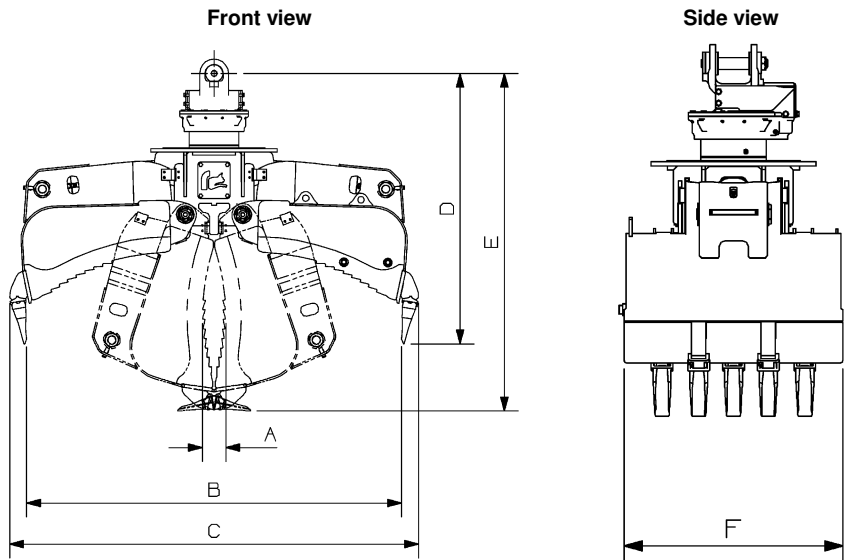
\*High tensile strength steel: 165,000 psi (1138 MPa)

<b>Rotator</b>	<b>Maximum pressure:</b> 5000 psi (345 bars)	<b>Recommended flow:</b> 9 gpm (34 l/min.)
Rotator recommended flow will produce a speed of 25 rpm.		

Cylinder	Diameter	Recommended pressure	Pressure range	Flow range	Lock valves
Standard	4" (102 mm)	4000 psi (276 bars)	3000 - 5000 psi (207 - 345 bars)	25 - 37 gpm (95 - 140 l/min.)	no

Grapple cylinder maximum flow will theoretically produce a complete grapple open/close cycle in 4 seconds.

Reference	Dimension
A	5 1/4 in. (133 mm)
B	84 5/8 in. (2149 mm)
C	92 3/8 in. (2346 mm)
D	61 in. (1549 mm)
E	76 1/8 in. (1934 mm)
F	37 3/4 in. (959 mm)
G	



OPTIONS: RotoCut Saw unit. Mini heel set, one on each side of grapple head.

web site: [www.rotobec.com](http://www.rotobec.com)

e-mail: [rotobec@rotobec.com](mailto:rotobec@rotobec.com)

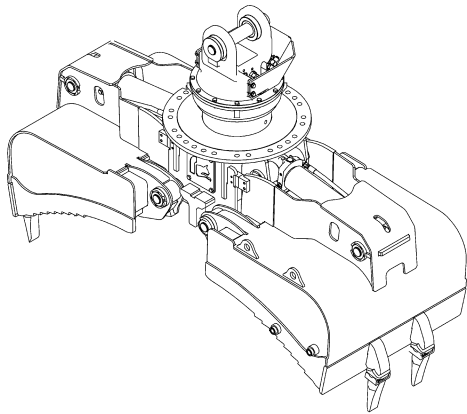
Rotobec Inc.: Head office serving OEM's and Eastern Canada  
 Rotobec West: Branch serving Western Canada and Western USA  
 Rotobec USA: Branch serving Eastern and Central USA

Ph: (418) 383-3002    Fax: (418) 383-5334  
 Ph: (250) 765-1161    Fax: (250) 765-0035  
 Ph: (603) 444-2103    Fax: (603) 444-0327



# Power Attachment

## RPA4570B with rotator RT-1004



<b>Opening</b>	84 5/8 in. (2149 mm)
<b>Closing</b>	5 1/4 in. (133 mm)
<b>Volume</b>	0.75 cubic yards    .57 cubic meters
<b>Area tip to tip</b>	N/A
<b>Rotator lifting capacity</b>	100000 lb (45360 kg)
<b>Torque at relief pressure</b>	22360 in.lb (2527 Nm)    @ 1450 psi (100 bars)
<b>Steel* thickness</b>	1/2" (13 mm)
<b>Weight</b>	3110 lb (1411 kg)

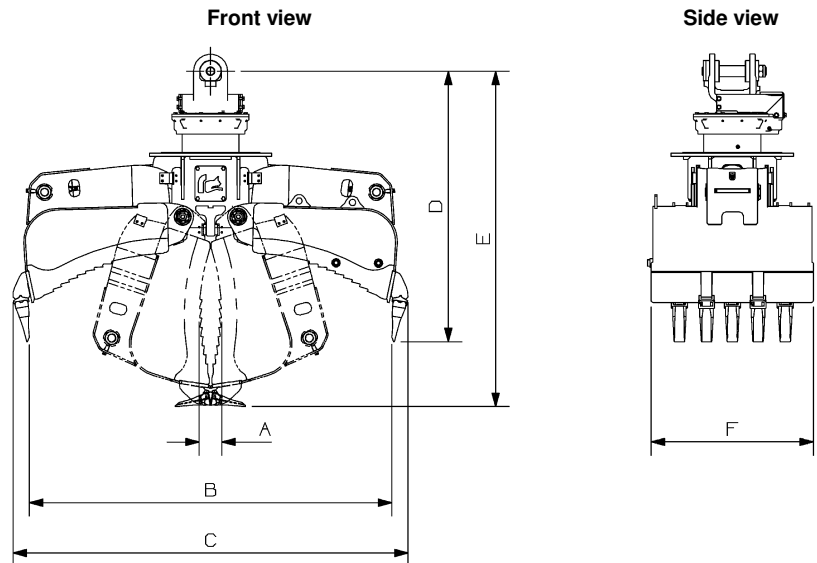
\*High tensile strength steel: 165,000 psi (1138 MPa)

<b>Rotator</b>	<b>Maximum pressure:</b> 5000 psi (345 bars)	<b>Recommended flow:</b> 8 gpm (30 l/min.)
Rotator recommended flow will produce a speed of 20 rpm.		

Cylinder	Diameter	Recommended pressure	Pressure range	Flow range	Lock valves
Standard	4" (102 mm)	4000 psi (276 bars)	3000 - 5000 psi (207 - 345 bars)	25 - 37 gpm (95 - 140 l/min.)	no

Grapple cylinder maximum flow will theoretically produce a complete grapple open/close cycle in 4 seconds.

Reference	Dimension
A	5 1/4 in. (133 mm)
B	84 5/8 in. (2149 mm)
C	92 3/8 in. (2346 mm)
D	63 1/8 in. (1603 mm)
E	78 1/4 in. (1988 mm)
F	37 3/4 in. (959 mm)
G	



OPTIONS: RotoCut Saw unit. Mini heel set, one on each side of grapple head.

web site: [www.rotobec.com](http://www.rotobec.com)

e-mail: [rotobec@rotobec.com](mailto:rotobec@rotobec.com)

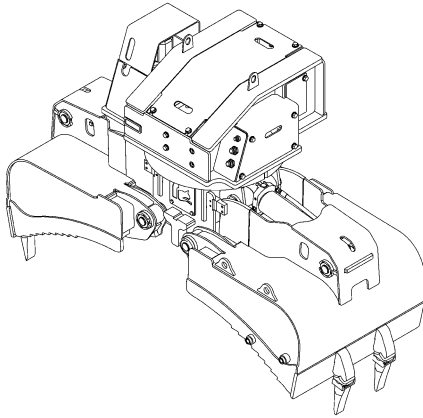
Rotobec Inc.: Head office serving OEM's and Eastern Canada  
 Rotobec West: Branch serving Western Canada and Western USA  
 Rotobec USA: Branch serving Eastern and Central USA

Ph: (418) 383-3002    Fax: (418) 383-5334  
 Ph: (250) 765-1161    Fax: (250) 765-0035  
 Ph: (603) 444-2103    Fax: (603) 444-0327



# Power Attachment

## RPA4570B with rotator RGP-1302



<b>Opening</b>	84 5/8 in. (2149 mm)
<b>Closing</b>	5 1/4 in. (133 mm)
<b>Volume</b>	0.75 cubic yards    .57 cubic meters
<b>Area tip to tip</b>	N/A
<b>Rotator lifting capacity</b>	130000 lb (58968 kg)
<b>Torque at relief pressure</b>	176750 in. lb (19972 Nm) @ 2200 psi (152 bars)
<b>Steel* thickness</b>	1/2" (13 mm)
<b>Weight</b>	3950 lb (1792 kg)

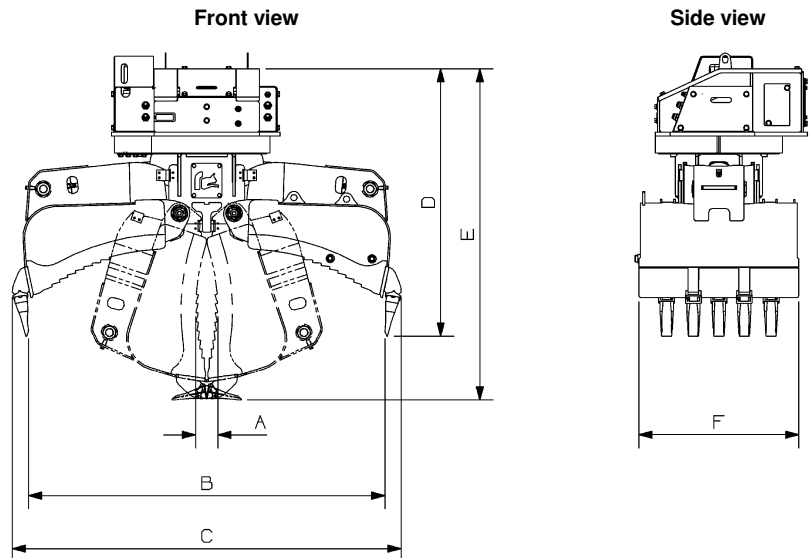
\*High tensile strength steel: 165,000 psi (1138 MPa)

<b>Rotator</b>	<b>Maximum pressure:</b> 5000 psi (345 bars)	<b>Recommended flow:</b> 33 gpm (125 l/min.)
Rotator recommended flow will produce a speed of 15 rpm.		

Cylinder	Diameter	Recommended pressure	Pressure range	Flow range	Lock valves
Standard	4" (102 mm)	4000 psi (276 bars)	3000 - 5000 psi (207 - 345 bars)	25 - 37 gpm (95 - 140 l/min.)	no

Grapple cylinder maximum flow will theoretically produce a complete grapple open/close cycle in 4 seconds.

Reference	Dimension
A	5 1/4 in. (133 mm)
B	84 5/8 in. (2149 mm)
C	92 3/8 in. (2346 mm)
D	63 3/8 in. (1610 mm)
E	78 1/2 in. (1994 mm)
F	37 3/4 in. (959 mm)
G	



OPTIONS: Custom lugging on rotator. RotoCut Saw unit. Mini heel set, one on each side of grapple head. Float on swing motor. Positioning cylinder kit, including bracket. 2 or 3 function valve-in-head kit. Installation kit.

web site: [www.rotobec.com](http://www.rotobec.com)

e-mail: [rotobec@rotobec.com](mailto:rotobec@rotobec.com)

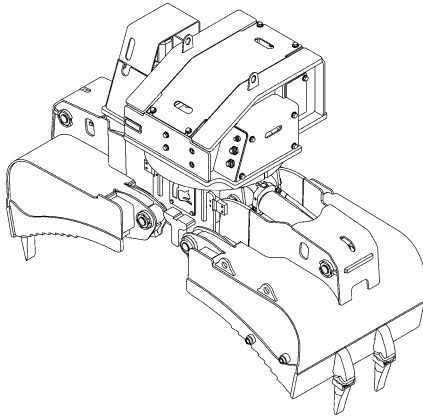
Rotobec Inc.: Head office serving OEM's and Eastern Canada  
 Rotobec West: Branch serving Western Canada and Western USA  
 Rotobec USA: Branch serving Eastern and Central USA

Ph: (418) 383-3002    Fax: (418) 383-5334  
 Ph: (250) 765-1161    Fax: (250) 765-0035  
 Ph: (603) 444-2103    Fax: (603) 444-0327



# Power Attachment

## RPA4570B with rotator RGP-1304



<b>Opening</b>	84 5/8 in. (2149 mm)
<b>Closing</b>	5 1/4 in. (133 mm)
<b>Volume</b>	0.75 cubic yards    .57 cubic meters
<b>Area tip to tip</b>	N/A
<b>Rotator lifting capacity</b>	130000 lb (58968 kg)
<b>Torque at relief pressure</b>	176750 in. lb (19972 Nm) @ 2200 psi (152 bars)
<b>Steel* thickness</b>	1/2" (13 mm)
<b>Weight</b>	3950 lb (1792 kg)

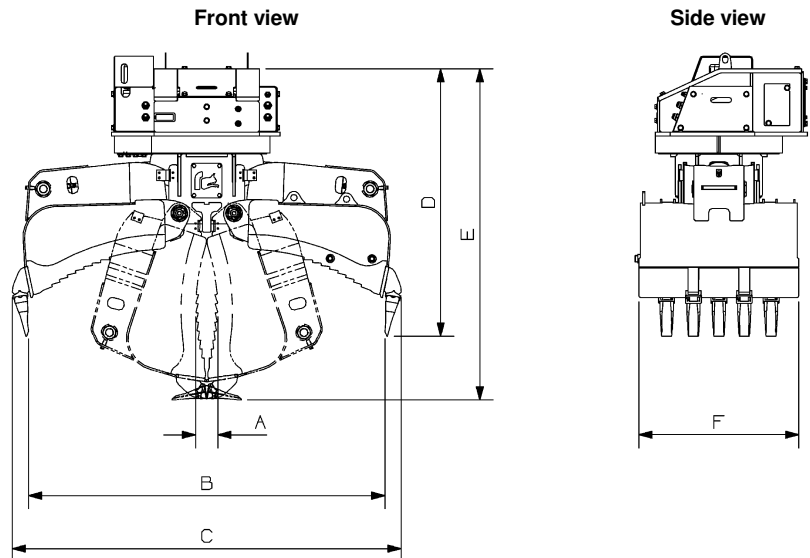
\*High tensile strength steel: 165,000 psi (1138 MPa)

<b>Rotator</b>	<b>Maximum pressure:</b> 5000 psi (345 bars)	<b>Recommended flow:</b> 33 gpm (125 l/min.)
Rotator recommended flow will produce a speed of 15 rpm.		

Cylinder	Diameter	Recommended pressure	Pressure range	Flow range	Lock valves
Standard	4" (102 mm)	4000 psi (276 bars)	3000 - 5000 psi (207 - 345 bars)	25 - 37 gpm (95 - 140 l/min.)	no

Grapple cylinder maximum flow will theoretically produce a complete grapple open/close cycle in 4 seconds.

Reference	Dimension
A	5 1/4 in. (133 mm)
B	84 5/8 in. (2149 mm)
C	92 3/8 in. (2346 mm)
D	63 3/8 in. (1610 mm)
E	78 1/2 in. (1994 mm)
F	37 3/4 in. (959 mm)
G	



OPTIONS: Custom lugging on rotator. RotoCut Saw unit. Mini heel set, one on each side of grapple head. Float on swing motor. Positioning cylinder kit, including bracket. 2 or 3 function valve-in-head kit. Installation kit.

web site: [www.rotobec.com](http://www.rotobec.com)

e-mail: [rotobec@rotobec.com](mailto:rotobec@rotobec.com)

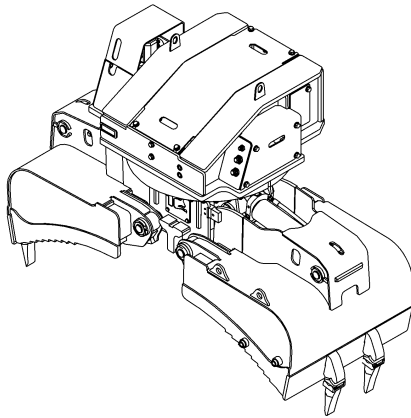
Rotobec Inc.: Head office serving OEM's and Eastern Canada  
 Rotobec West: Branch serving Western Canada and Western USA  
 Rotobec USA: Branch serving Eastern and Central USA

Ph: (418) 383-3002    Fax: (418) 383-5334  
 Ph: (250) 765-1161    Fax: (250) 765-0035  
 Ph: (603) 444-2103    Fax: (603) 444-0327



# Power Attachment

## RPA4570B with rotator RGP-1702A



<b>Opening</b>	84 5/8 in. (2149 mm)
<b>Closing</b>	5 1/4 in. (133 mm)
<b>Volume</b>	0.75 cubic yards    .57 cubic meters
<b>Area tip to tip</b>	N/A
<b>Rotator lifting capacity</b>	170000 lb (77111 kg)
<b>Torque at relief pressure</b>	218520 in. lb (24692 Nm) @ 2200 psi (152 bars)
<b>Steel* thickness</b>	1/2" (13 mm)
<b>Weight</b>	4750 lb (2155 kg)

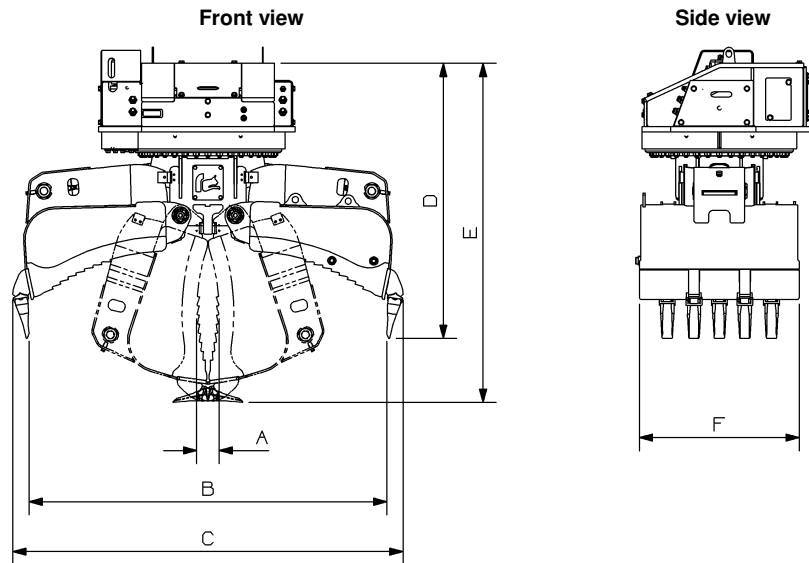
\*High tensile strength steel: 165,000 psi (1138 MPa)

<b>Rotator</b>	<b>Maximum pressure:</b> 5000 psi (345 bars)	<b>Recommended flow:</b> 32 gpm (121 l/min.)
Rotator recommended flow will produce a speed of 12 rpm.		

Cylinder	Diameter	Recommended pressure	Pressure range	Flow range	Lock valves
Standard	4" (102 mm)	4000 psi (276 bars)	3000 - 5000 psi (207 - 345 bars)	25 - 37 gpm (95 - 140 l/min.)	no

Grapple cylinder maximum flow will theoretically produce a complete grapple open/close cycle in 4 seconds.

Reference	Dimension
A	5 1/4 in. (133 mm)
B	84 5/8 in. (2149 mm)
C	92 3/8 in. (2346 mm)
D	65 1/8 in. (1654 mm)
E	80 1/4 in. (2038 mm)
F	37 3/4 in. (959 mm)
G	



OPTIONS: Custom lugging on rotator. RotoCut Saw unit. Mini heel set, one on each side of grapple head. Float on swing motor. Positioning cylinder kit, including bracket. 2 or 3 function valve-in-head kit. Installation kit.  
 NOTE: Spacer included with rotator, not illustrated.

web site: [www.rotobec.com](http://www.rotobec.com)

e-mail: [rotobec@rotobec.com](mailto:rotobec@rotobec.com)

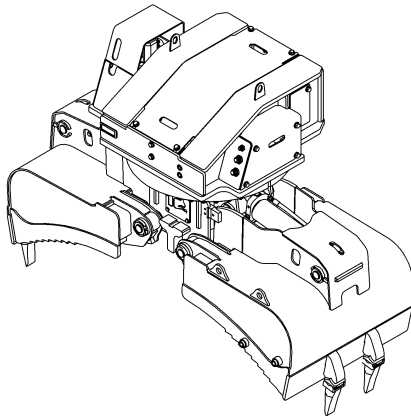
Rotobec Inc.: Head office serving OEM's and Eastern Canada  
 Rotobec West: Branch serving Western Canada and Western USA  
 Rotobec USA: Branch serving Eastern and Central USA

Ph: (418) 383-3002    Fax: (418) 383-5334  
 Ph: (250) 765-1161    Fax: (250) 765-0035  
 Ph: (603) 444-2103    Fax: (603) 444-0327



# Power Attachment

## RPA4570B with rotator RGP-1704A



<b>Opening</b>	84 5/8 in. (2149 mm)
<b>Closing</b>	5 1/4 in. (133 mm)
<b>Volume</b>	0.75 cubic yards    .57 cubic meters
<b>Area tip to tip</b>	N/A
<b>Rotator lifting capacity</b>	170000 lb (77111 kg)
<b>Torque at relief pressure</b>	218520 in. lb (24692 Nm) @ 2200 psi (152 bars)
<b>Steel* thickness</b>	1/2" (13 mm)
<b>Weight</b>	4750 lb (2155 kg)

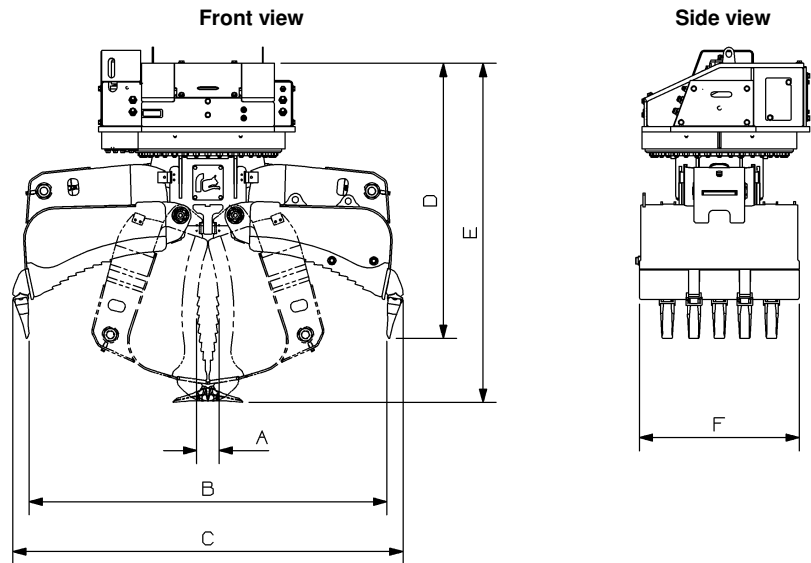
\*High tensile strength steel: 165,000 psi (1138 MPa)

<b>Rotator</b>	<b>Maximum pressure:</b> 5000 psi (345 bars)	<b>Recommended flow:</b> 32 gpm (121 l/min.)
Rotator recommended flow will produce a speed of 12 rpm.		

Cylinder	Diameter	Recommended pressure	Pressure range	Flow range	Lock valves
Standard	4" (102 mm)	4000 psi (276 bars)	3000 - 5000 psi (207 - 345 bars)	25 - 37 gpm (95 - 140 l/min.)	no

Grapple cylinder maximum flow will theoretically produce a complete grapple open/close cycle in 4 seconds.

Reference	Dimension
A	5 1/4 in. (133 mm)
B	84 5/8 in. (2149 mm)
C	92 3/8 in. (2346 mm)
D	65 1/8 in. (1654 mm)
E	80 1/4 in. (2038 mm)
F	37 3/4 in. (959 mm)
G	



OPTIONS: Custom lugging on rotator. RotoCut Saw unit. Mini heel set, one on each side of grapple head. Float on swing motor. Positioning cylinder kit, including bracket. 2 or 3 function valve-in-head kit. Installation kit.  
 NOTE: Spacer included with rotator, not illustrated.

web site: [www.rotobec.com](http://www.rotobec.com)

e-mail: [rotobec@rotobec.com](mailto:rotobec@rotobec.com)

Rotobec Inc.: Head office serving OEM's and Eastern Canada  
 Rotobec West: Branch serving Western Canada and Western USA  
 Rotobec USA: Branch serving Eastern and Central USA

Ph: (418) 383-3002    Fax: (418) 383-5334  
 Ph: (250) 765-1161    Fax: (250) 765-0035  
 Ph: (603) 444-2103    Fax: (603) 444-0327