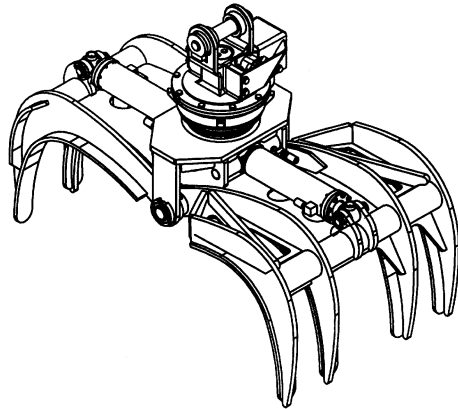




ROTOBEC™

Multi Purpose Grapple

5609MUL with rotator RT-252



Opening	55 in. (1397 mm)
Closing	8 3/4 in. (222 mm)
Volume	.40 cubic yards 0.31 cubic meters
Area tip to tip	3.3 sq. ft. (.3 sq. meter)
Rotator lifting capacity	25000 lb (11340 kg)
Torque at relief pressure	16150 in.lb (1825 Nm) @ 1450 psi (100 bars)
Steel* thickness	1/2" (13 mm)
Weight	1180 lb (535 kg)

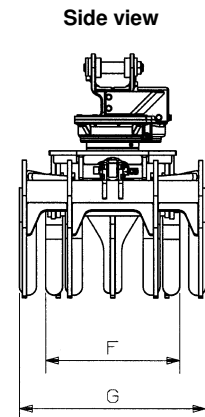
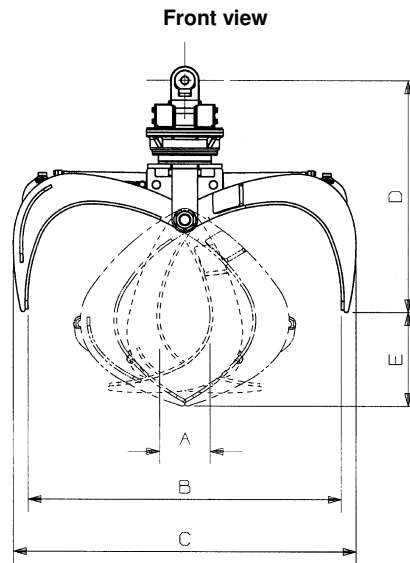
*High tensile strength steel: 165,000 psi (1138 MPa)

Rotator	Maximum pressure: 5000 psi (345 bars)	Recommended flow: 9 gpm (34 l/min.)
Rotator recommended flow will produce a speed of 30 rpm.		

Cylinder	Diameter	Recommended pressure	Pressure range	Flow range	Lock valves
Standard	3 1/2" (89 mm)	2350 psi (162 bars)	2000 - 2700 psi (138 - 186 bars)	16 - 24 gpm (61 - 91 l/min.)	no
Standard	3" (76 mm)	3250 psi (224 bars)	2800 - 3700 psi (193 - 255 bars)	11 - 16 gpm (42 - 61 l/min.)	no

Grapple cylinder maximum flow will theoretically produce a complete grapple open/close cycle in 4 seconds.

Reference	Dimension
A	8 3/4 in. (222 mm)
B	55 in. (1397 mm)
C	60 1/4 in. (1530 mm)
D	41 1/8 in. (1045 mm)
E	16 5/8 in. (422 mm)
F	23 3/4 in. (603 mm)
G	33 in. (838 mm)



web site: www.rotobec.com

e-mail: rotobec@rotobec.com

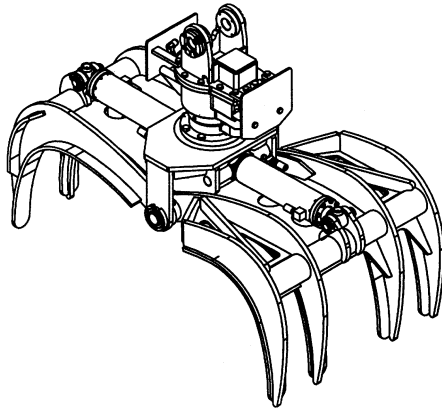
Rotobec Inc.: Head office serving OEM's and Eastern Canada
 Rotobec West: Branch serving Western Canada and Western USA
 Rotobec USA: Branch serving Eastern and Central USA

Ph: (418) 383-3002 Fax: (418) 383-5334
 Ph: (250) 765-1161 Fax: (250) 765-0035
 Ph: (603) 444-2103 Fax: (603) 444-0327



Multi Purpose Grapple

5609MUL with rotator R-9150



Opening	55 in. (1397 mm)
Closing	8 3/4 in. (222 mm)
Volume	.40 cubic yards 0.31 cubic meters
Area tip to tip	3.3 sq. ft. (.3 sq. meter)
Rotator lifting capacity	18000 lb (8165 kg)
Torque at relief pressure	8450 in.lb (955 Nm) @ 913 psi (63 bars)
Steel* thickness	1/2" (13 mm)
Weight	1130 lb (513 kg)

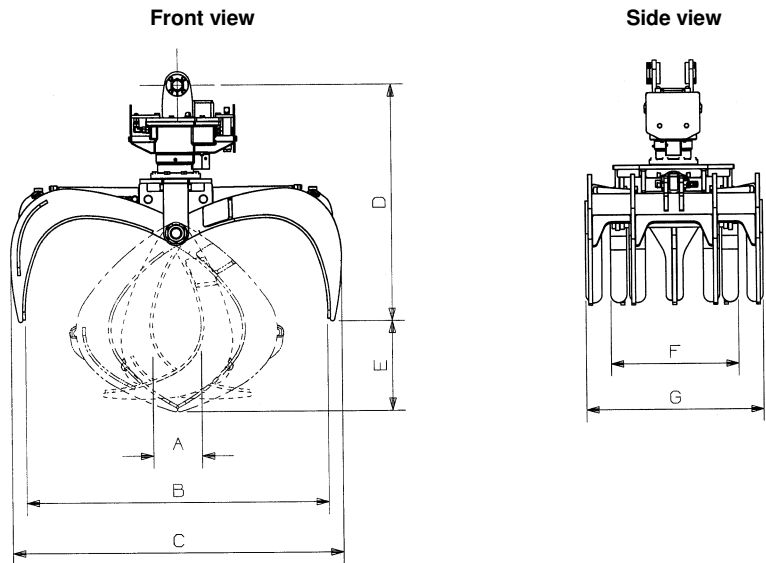
*High tensile strength steel: 165,000 psi (1138 MPa)

Rotator	Maximum pressure: 4000 psi (276 bars)	Recommended flow: 8 gpm (30 l/min.)
Rotator recommended flow will produce a speed of 30 rpm.		

Cylinder	Diameter	Recommended pressure	Pressure range	Flow range	Lock valves
Standard	3 1/2" (89 mm)	2350 psi (162 bars)	2000 - 2700 psi (138 - 186 bars)	16 - 24 gpm (61 - 91 l/min.)	no
Standard	3" (76 mm)	3250 psi (224 bars)	2800 - 3700 psi (193 - 255 bars)	11 - 16 gpm (42 - 61 l/min.)	no

Grapple cylinder maximum flow will theoretically produce a complete grapple open/close cycle in 4 seconds.

Reference	Dimension
A	8 3/4 in. (222 mm)
B	55 in. (1397 mm)
C	60 1/4 in. (1530 mm)
D	43 3/4 in. (1111 mm)
E	16 5/8 in. (422 mm)
F	23 3/4 in. (603 mm)
G	33 in. (838 mm)



web site: www.rotobec.com

e-mail: rotobec@rotobec.com

Rotobec Inc.: Head office serving OEM's and Eastern Canada
 Rotobec West: Branch serving Western Canada and Western USA
 Rotobec USA: Branch serving Eastern and Central USA

Ph: (418) 383-3002 Fax: (418) 383-5334
 Ph: (250) 765-1161 Fax: (250) 765-0035
 Ph: (603) 444-2103 Fax: (603) 444-0327