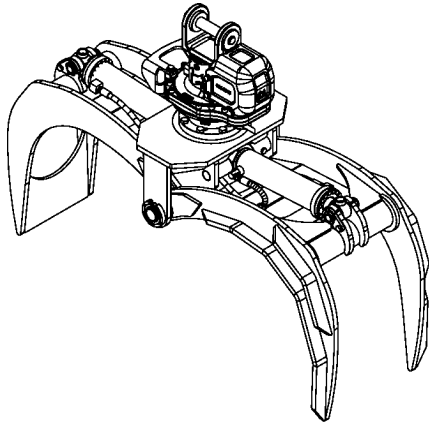




Combination grapple

6007 with rotator RT-222



Opening	60 in. (1524 mm)
Closing	6 5/8 in. (168 mm)
Volume	.275 cord of 8 ft. wood
Area tip to tip	4.4 sq. ft. (.41 sq. meter)
Rotator lifting capacity	22000 lb (9980 kg)
Torque at relief pressure	10700 in.lb (1209 Nm) @ 913 psi (63 bars)
Steel* thickness	3/4" (19 mm)
Weight	930 lb (422 kg)

*High tensile strength steel: 165,000 psi (1138 MPa)

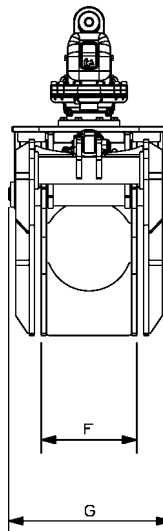
Rotator	Maximum pressure: 5000 psi (345 bars)	Recommended flow: 10 gpm (38 l/min.)
Rotator recommended flow will produce a speed of 30 rpm.		

Cylinder	Diameter	Recommended pressure	Pressure range	Flow range	Lock valves
Standard	3 1/2" (89 mm)	2350 psi (162 bars)	2000 - 2700 psi (138 - 186 bars)	16 - 24 gpm (61 - 91 l/min.)	no
Standard	3" (76 mm)	3250 psi (224 bars)	2800 - 3700 psi (193 - 255 bars)	11 - 16 gpm (42 - 61 l/min.)	no

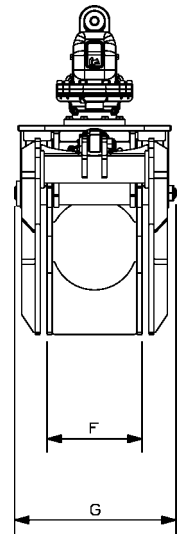
Grapple cylinder maximum flow will theoretically produce a complete grapple open/close cycle in 4 seconds.

Reference	Dimension
A	6 5/8 in. (168 mm)
B	60 in. (1524 mm)
C	65 in. (1651 mm)
D	46 1/4 in. (1175 mm)
E	16 1/8 in. (410 mm)
F	14 in. (356 mm)
G	23 3/4 in. (603 mm)
H	

Front view



Side view



OPTIONS: Leveling plate. Knife to close wide jaw. Log protection package, including shaft on jaw tips and protection strips on jaw edges. Jaw tip modification to prevent log damage. Impact protection relief valve available on certain models (check with factory).

web site: www.rotobec.com

e-mail: rotobec@rotobec.com

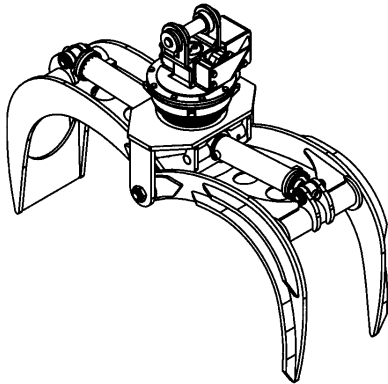
Rotobec Inc.: Head office serving OEM's and Eastern Canada
 Rotobec West: Branch serving Western Canada and Western USA
 Rotobec USA: Branch serving Eastern and Central USA

Ph: (418) 383-3002 Fax: (418) 383-5334
 Ph: (250) 765-1161 Fax: (250) 765-0035
 Ph: (603) 444-2103 Fax: (603) 444-0327



Combination grapple

6007 with rotator RT-252



Opening	60 in. (1524 mm)
Closing	6 5/8 in. (168 mm)
Volume	.275 cord of 8 ft. wood
Area tip to tip	4.4 sq. ft. (.41 sq. meter)
Rotator lifting capacity	25000 lb (11340 kg)
Torque at relief pressure	16150 in.lb (1825 Nm) @ 1450 psi (100 bars)
Steel* thickness	3/4" (19 mm)
Weight	970 lb (440 kg)

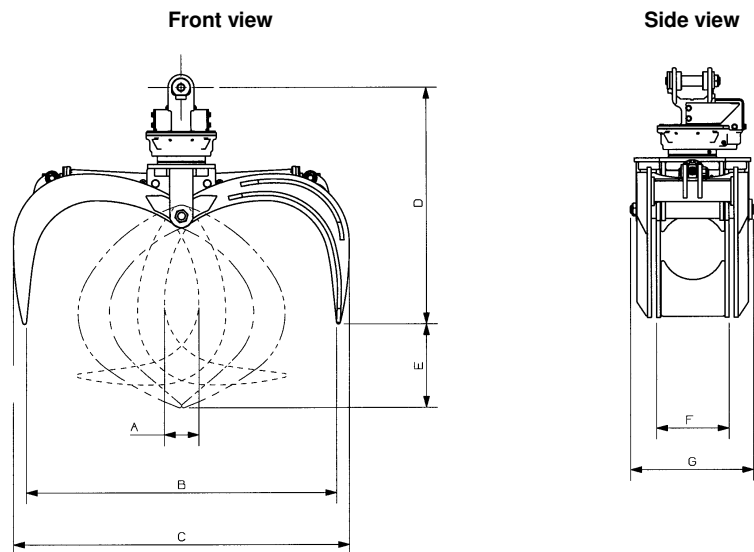
*High tensile strength steel: 165,000 psi (1138 MPa)

Rotator	Maximum pressure: 5000 psi (345 bars)	Recommended flow: 9 gpm (34 l/min.)
Rotator recommended flow will produce a speed of 30 rpm.		

Cylinder	Diameter	Recommended pressure	Pressure range	Flow range	Lock valves
Standard	3 1/2" (89 mm)	2350 psi (162 bars)	2000 - 2700 psi (138 - 186 bars)	16 - 24 gpm (61 - 91 l/min.)	no
Standard	3" (76 mm)	3250 psi (224 bars)	2800 - 3700 psi (193 - 255 bars)	11 - 16 gpm (42 - 61 l/min.)	no

Grapple cylinder maximum flow will theoretically produce a complete grapple open/close cycle in 4 seconds.

Reference	Dimension
A	6 5/8 in. (168 mm)
B	60 in. (1524 mm)
C	65 in. (1651 mm)
D	45 5/8 in. (1159 mm)
E	16 1/8 in. (410 mm)
F	14 in. (356 mm)
G	23 3/4 in. (603 mm)
H	



OPTIONS: Leveling plate. Knife to close wide jaw. Log protection package, including shaft on jaw tips and protection strips on jaw edges. Jaw tip modification to prevent log damage. Impact protection relief valve available on certain models (check with factory).

web site: www.rotobec.com

e-mail: rotobec@rotobec.com

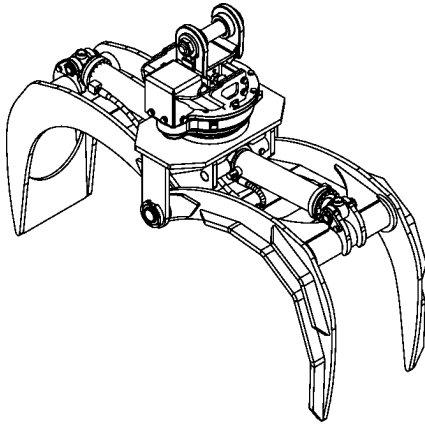
Rotobec Inc.: Head office serving OEM's and Eastern Canada
 Rotobec West: Branch serving Western Canada and Western USA
 Rotobec USA: Branch serving Eastern and Central USA

Ph: (418) 383-3002 Fax: (418) 383-5334
 Ph: (250) 765-1161 Fax: (250) 765-0035
 Ph: (603) 444-2103 Fax: (603) 444-0327



Combination grapple

6007 with rotator RT-322



Opening	60 in. (1524 mm)
Closing	6 5/8 in. (168 mm)
Volume	.275 cord of 8 ft. wood
Area tip to tip	4.4 sq. ft. (.41 sq. meter)
Rotator lifting capacity	32000 lb (14515 kg)
Torque at relief pressure	15720 in.lb (1776 Nm) @ 1450 psi (100 bars)
Steel* thickness	3/4" (19 mm)
Weight	1005 lb (456 kg)

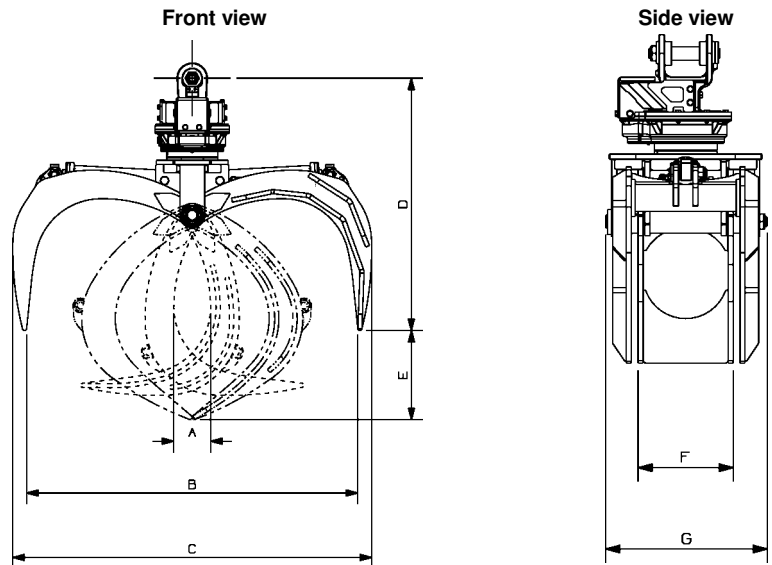
*High tensile strength steel: 165,000 psi (1138 MPa)

Rotator	Maximum pressure: 5000 psi (345 bars)	Recommended flow: 9 gpm (34 l/min.)
Rotator recommended flow will produce a speed of 30 rpm.		

Cylinder	Diameter	Recommended pressure	Pressure range	Flow range	Lock valves
Standard	3 1/2" (89 mm)	2350 psi (162 bars)	2000 - 2700 psi (138 - 186 bars)	16 - 24 gpm (61 - 91 l/min.)	no
Standard	3" (76 mm)	3250 psi (224 bars)	2800 - 3700 psi (193 - 255 bars)	11 - 16 gpm (42 - 61 l/min.)	no

Grapple cylinder maximum flow will theoretically produce a complete grapple open/close cycle in 4 seconds.

Reference	Dimension
A	6 5/8 in. (168 mm)
B	60 in. (1524 mm)
C	65 in. (1651 mm)
D	45 3/4 in. (1162 mm)
E	16 1/8 in. (410 mm)
F	14 in. (356 mm)
G	23 3/4 in. (603 mm)
H	



OPTIONS: Leveling plate. Knife to close wide jaw. Log protection package, including shaft on jaw tips and protection strips on jaw edges. Jaw tip modification to prevent log damage. Impact protection relief valve available on certain models (check with factory).

web site: www.rotobec.com

e-mail: rotobec@rotobec.com

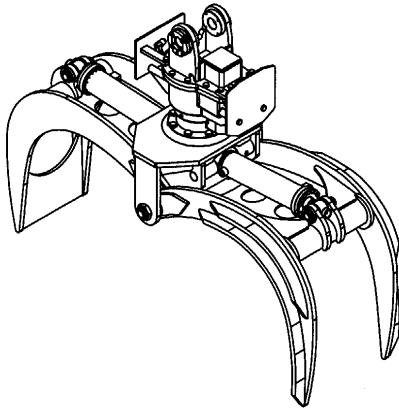
Rotobec Inc.: Head office serving OEM's and Eastern Canada
 Rotobec West: Branch serving Western Canada and Western USA
 Rotobec USA: Branch serving Eastern and Central USA

Ph: (418) 383-3002 Fax: (418) 383-5334
 Ph: (250) 765-1161 Fax: (250) 765-0035
 Ph: (603) 444-2103 Fax: (603) 444-0327



Combination grapple

6007 with rotator R-9150



Opening	60 in. (1524 mm)
Closing	6 5/8 in. (168 mm)
Volume	.275 cord of 8 ft. wood
Area tip to tip	4.4 sq. ft. (.41 sq. meter)
Rotator lifting capacity	18000 lb (8165 kg)
Torque at relief pressure	8450 in.lb (955 Nm) @ 913 psi (63 bars)
Steel* thickness	3/4" (19 mm)
Weight	920 lb (417 kg)

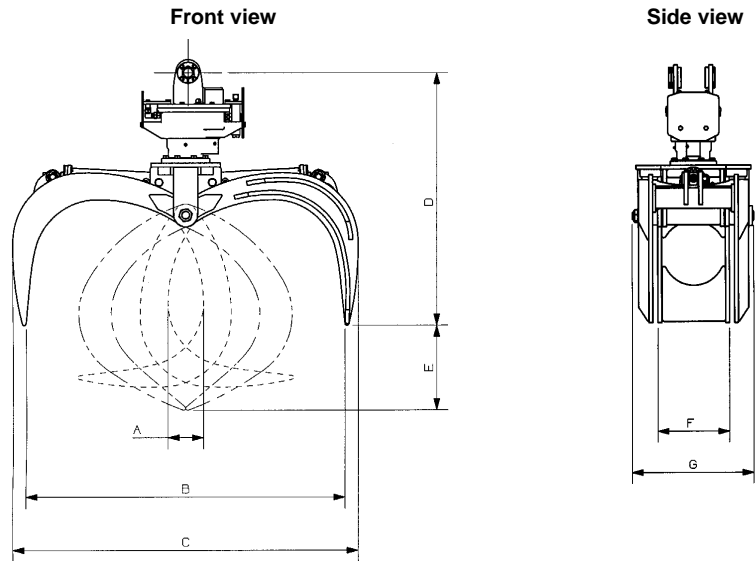
*High tensile strength steel: 165,000 psi (1138 MPa)

Rotator	Maximum pressure: 4000 psi (276 bars)	Recommended flow: 8 gpm (30 l/min.)
Rotator recommended flow will produce a speed of 30 rpm.		

Cylinder	Diameter	Recommended pressure	Pressure range	Flow range	Lock valves
Standard	3 1/2" (89 mm)	2350 psi (162 bars)	2000 - 2700 psi (138 - 186 bars)	16 - 24 gpm (61 - 91 l/min.)	no
Standard	3" (76 mm)	3250 psi (224 bars)	2800 - 3700 psi (193 - 255 bars)	11 - 16 gpm (42 - 61 l/min.)	no

Grapple cylinder maximum flow will theoretically produce a complete grapple open/close cycle in 4 seconds.

Reference	Dimension
A	6 5/8 in. (168 mm)
B	60 in. (1524 mm)
C	65 in. (1651 mm)
D	48 in. (1219 mm)
E	16 1/8 in. (410 mm)
F	14 in. (356 mm)
G	23 3/4 in. (603 mm)
H	



OPTIONS: Leveling plate. Knife to close wide jaw. Tie protection package, including shaft on jaw tips and protection strips on jaw edges. Jaw tip modification to prevent log damage. Impact protection relief valve available on certain models (check with factory).

web site: www.rotobec.com

e-mail: rotobec@rotobec.com

Rotobec Inc.: Head office serving OEM's and Eastern Canada
 Rotobec West: Branch serving Western Canada and Western USA
 Rotobec USA: Branch serving Eastern and Central USA

Ph: (418) 383-3002 Fax: (418) 383-5334
 Ph: (250) 548-0041 Fax: (250) 548-0043
 Ph: (603) 444-2103 Fax: (603) 444-0327