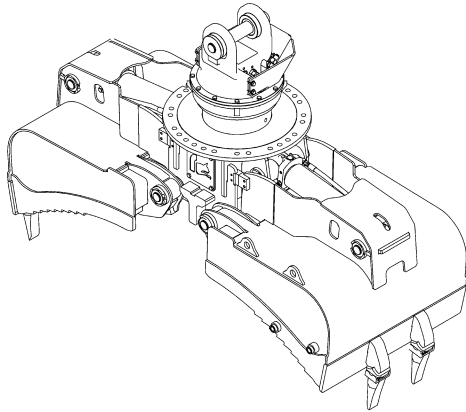




Power Attachment

RPA60100B with rotator RT-1004



Opening	94 in. (2388 mm)
Closing	6 1/4 in. (159 mm)
Volume	1.00 cubic yards .77 cubic meters
Area tip to tip	N/A
Rotator lifting capacity	100000 lb (45360 kg)
Torque at relief pressure	22360 in.lb (2527 Nm) @ 1450 psi (100 bars)
Steel* thickness	1/2" (13 mm)
Weight	4050 lb (1837 kg)

*High tensile strength steel: 165,000 psi (1138 MPa)

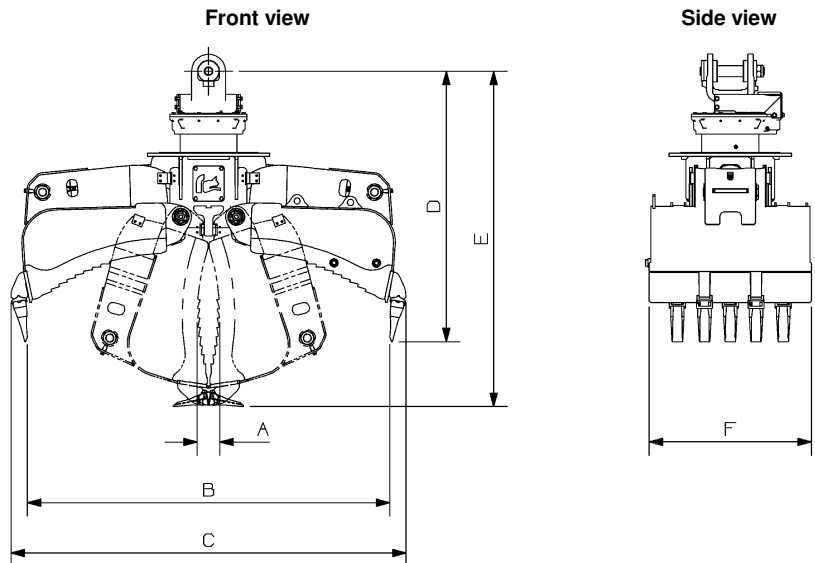
Rotator	Maximum pressure: 5000 psi (345 bars)	Recommended flow: 8 gpm (30 l/min.)
----------------	--	--

Rotator recommended flow will produce a speed of 20 rpm.

Cylinder	Diameter	Recommended pressure	Pressure range	Flow range	Lock valves
Standard	4 1/2" (114 mm)	4000 psi (276 bars)	3000 - 5000 psi (207 - 345 bars)	29 - 41 gpm (110 - 155 l/min.)	no

Grapple cylinder maximum flow will theoretically produce a complete grapple open/close cycle in 5 seconds.

Reference	Dimension
A	6 1/4 in. (159 mm)
B	94 in. (2388 mm)
C	106 in. (2692 mm)
D	73 in. (1854 mm)
E	90 in. (2286 mm)
F	35 1/2 in. (902 mm)
G	



OPTIONS: OPTIONS: RotoCut Saw unit. Mini heel set, one on each side of grapple head.

web site: www.rotobec.com

e-mail: rotobec@rotobec.com

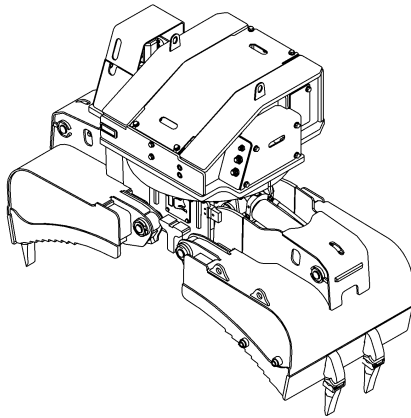
Rotobec Inc.: Head office serving OEM's and Eastern Canada
 Rotobec West: Branch serving Western Canada and Western USA
 Rotobec USA: Branch serving Eastern and Central USA

Ph: (418) 383-3002 Fax: (418) 383-5334
 Ph: (250) 765-1161 Fax: (250) 765-0035
 Ph: (603) 444-2103 Fax: (603) 444-0327



Power Attachment

RPA60100B with rotator RGP-1702



Opening	94 in. (2388 mm)
Closing	6 1/4 in. (159 mm)
Volume	1.0 cubic yards .77 cubic meters
Area tip to tip	N/A
Rotator lifting capacity	170000 lb (77111 kg)
Torque at relief pressure	218520 in. lb (24692 Nm) @ 2200 psi (152 bars)
Steel* thickness	1/2" (13 mm)
Weight	5700 lb (2586 kg)

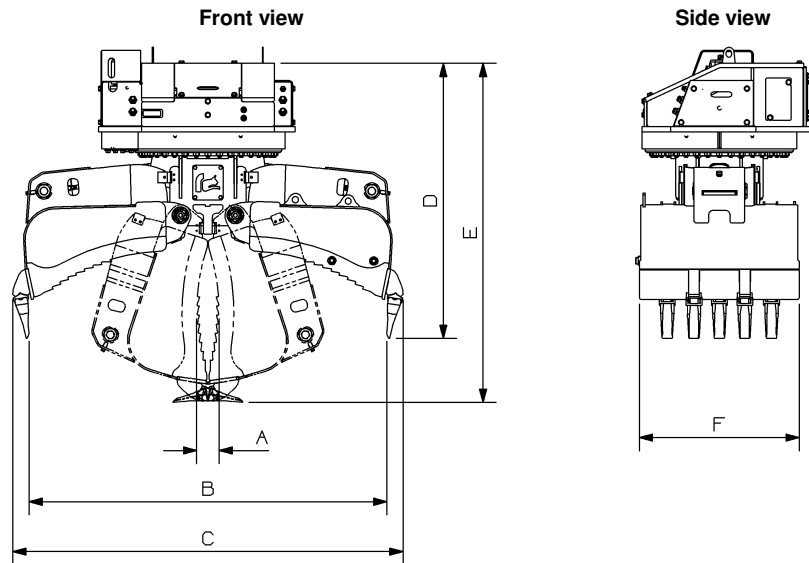
*High tensile strength steel: 165,000 psi (1138 MPa)

Rotator	Maximum pressure: 5000 psi (345 bars)	Recommended flow: 32 gpm (121 l/min.)
Rotator recommended flow will produce a speed of 12 rpm.		

Cylinder	Diameter	Recommended pressure	Pressure range	Flow range	Lock valves
Standard	4 1/2" (114 mm)	4000 psi (276 bars)	3000 - 5000 psi (207 - 345 bars)	29 - 41 gpm (110 - 155 l/min.)	no

Grapple cylinder maximum flow will theoretically produce a complete grapple open/close cycle in 5 seconds.

Reference	Dimension
A	6 1/4 in. (159 mm)
B	94 in. (2388 mm)
C	106 in. (2692 mm)
D	73 in. (1854 mm)
E	90 in. (2286 mm)
F	38 1/2 in. (978 mm)
G	



OPTIONS: Custom lugging on rotator. RotoCut Saw unit. Mini heel set, one on each side of grapple head. Float on swing motor. Positioning cylinder kit, including bracket. 2 or 3 function valve-in-head kit. Installation kit.

web site: www.rotobec.com

e-mail: rotobec@rotobec.com

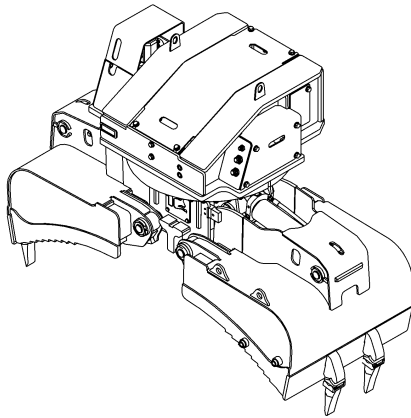
Rotobec Inc.: Head office serving OEM's and Eastern Canada
 Rotobec West: Branch serving Western Canada and Western USA
 Rotobec USA: Branch serving Eastern and Central USA

Ph: (418) 383-3002 Fax: (418) 383-5334
 Ph: (250) 765-1161 Fax: (250) 765-0035
 Ph: (603) 444-2103 Fax: (603) 444-0327



Power Attachment

RPA60100B with rotator RGP-1704



Opening	94 in. (2388 mm)
Closing	6 1/4 in. (159 mm)
Volume	1.0 cubic yards .77 cubic meters
Area tip to tip	N/A
Rotator lifting capacity	170000 lb (77111 kg)
Torque at relief pressure	218520 in. lb (24692 Nm) @ 2200 psi (152 bars)
Steel* thickness	1/2" (13 mm)
Weight	5700 lb (2586 kg)

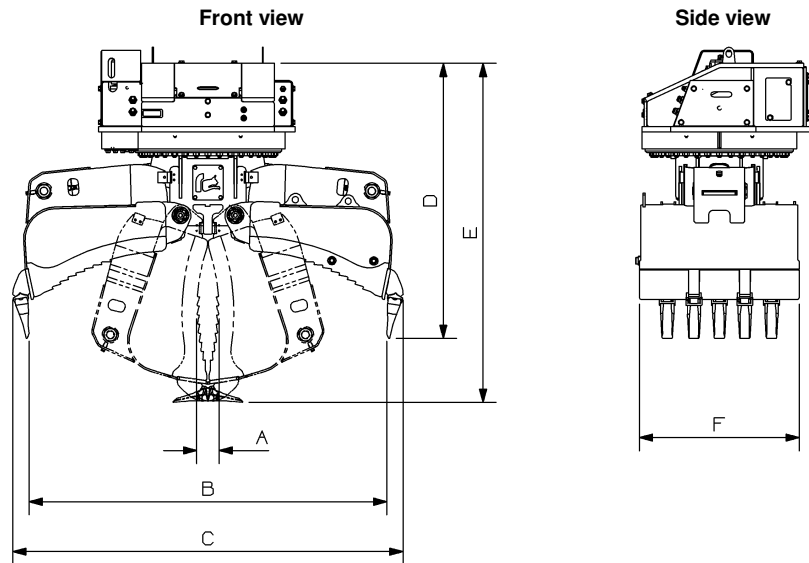
*High tensile strength steel: 165,000 psi (1138 MPa)

Rotator	Maximum pressure: 5000 psi (345 bars)	Recommended flow: 32 gpm (121 l/min.)
Rotator recommended flow will produce a speed of 12 rpm.		

Cylinder	Diameter	Recommended pressure	Pressure range	Flow range	Lock valves
Standard	4 1/2" (114 mm)	4000 psi (276 bars)	3000 - 5000 psi (207 - 345 bars)	29 - 41 gpm (110 - 155 l/min.)	no

Grapple cylinder maximum flow will theoretically produce a complete grapple open/close cycle in 5 seconds.

Reference	Dimension
A	6 1/4 in. (159 mm)
B	94 in. (2388 mm)
C	106 in. (2692 mm)
D	73 in. (1854 mm)
E	90 in. (2286 mm)
F	38 1/2 in. (978 mm)
G	



OPTIONS: Custom lugging on rotator. RotoCut Saw unit. Mini heel set, one on each side of grapple head. Float on swing motor. Positioning cylinder kit, including bracket. 2 or 3 function valve-in-head kit. Installation kit.

web site: www.rotobec.com

e-mail: rotobec@rotobec.com

Rotobec Inc.: Head office serving OEM's and Eastern Canada
 Rotobec West: Branch serving Western Canada and Western USA
 Rotobec USA: Branch serving Eastern and Central USA

Ph: (418) 383-3002 Fax: (418) 383-5334
 Ph: (250) 765-1161 Fax: (250) 765-0035
 Ph: (603) 444-2103 Fax: (603) 444-0327