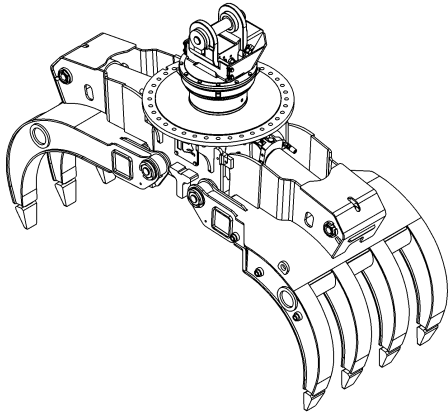




# Power Attachment

## RPA60100R with rotator RT-1004



<b>Opening</b>	95 3/4 in. (2432 mm)
<b>Closing</b>	6 3/8 in. (162 mm)
<b>Volume</b>	.490 cord of 8 ft. wood
<b>Area tip to tip</b>	7.8 sq. ft. (.73 sq. meter)
<b>Rotator lifting capacity</b>	100000 lb (45360 kg)
<b>Torque at relief pressure</b>	22360 in.lb (2527 Nm) @ 1450 psi (100 bars)
<b>Steel* thickness</b>	1/2" (13 mm)
<b>Weight</b>	3960 lb (1796 kg)

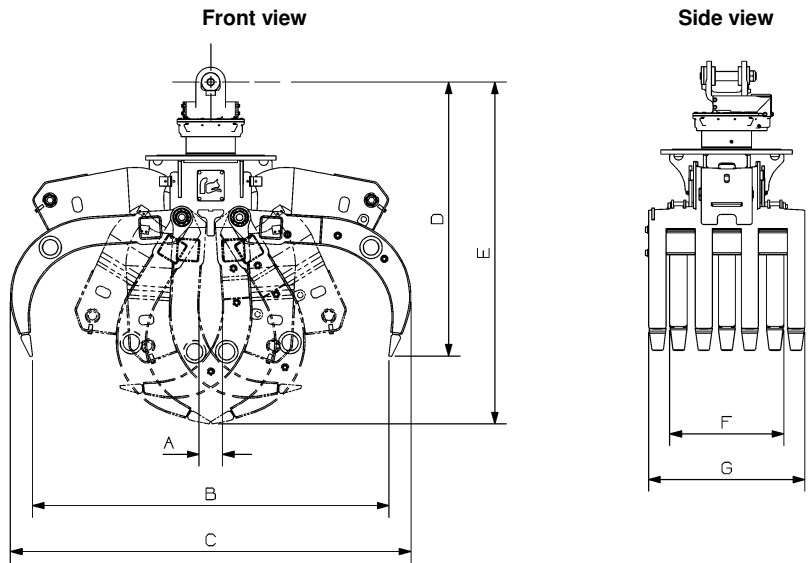
\*High tensile strength steel: 165,000 psi (1138 MPa)

<b>Rotator</b>	<b>Maximum pressure:</b> 5000 psi (345 bars)	<b>Recommended flow:</b> 8 gpm (30 l/min.)
Rotator recommended flow will produce a speed of 20 rpm.		

Cylinder	Diameter	Recommended pressure	Pressure range	Flow range	Lock valves
Standard	4 1/2" (114 mm)	4000 psi (276 bars)	3000 - 5000 psi (207 - 345 bars)	29 - 41 gpm (110 - 155 l/min.)	no

Grapple cylinder maximum flow will theoretically produce a complete grapple open/close cycle in 5 seconds.

Reference	Dimension
A	6 3/8 in. (162 mm)
B	95 3/4 in. (2432 mm)
C	107 5/8 in. (2734 mm)
D	73 1/2 in. (1867 mm)
E	91 3/4 in. (2330 mm)
F	30 3/8 in. (772 mm)
G	41 5/8 in. (1057 mm)
H	
I	
J	
K	



OPTIONS: Mini heel set, one on each side of grapple head.

web site: [www.rotobec.com](http://www.rotobec.com)

e-mail: [rotobec@rotobec.com](mailto:rotobec@rotobec.com)

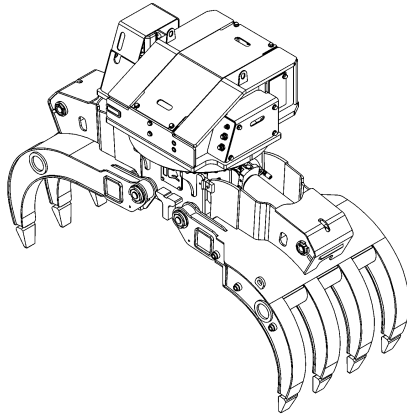
Rotobec Inc.: Head office serving OEM's and Eastern Canada  
 Rotobec West: Branch serving Western Canada and Western USA  
 Rotobec USA: Branch serving Eastern and Central USA

Ph: (418) 383-3002 Fax: (418) 383-5334  
 Ph: (250) 765-1161 Fax: (250) 765-0035  
 Ph: (603) 444-2103 Fax: (603) 444-0327



# Power Attachment

## RPA60100R with rotator RGP-1702



<b>Opening</b>	95 3/4 in. (2432 mm)
<b>Closing</b>	6 3/8 in. (162 mm)
<b>Volume</b>	.490 cord of 8 ft. wood
<b>Area tip to tip</b>	7.8 sq. ft. (.73 sq. meter)
<b>Rotator lifting capacity</b>	170000 lb (77111 kg)
<b>Torque at relief pressure</b>	218520 in. lb (24692 Nm) @ 2200 psi (152 bars)
<b>Steel* thickness</b>	1/2" (13 mm)
<b>Weight</b>	5600 lb (2540 kg)

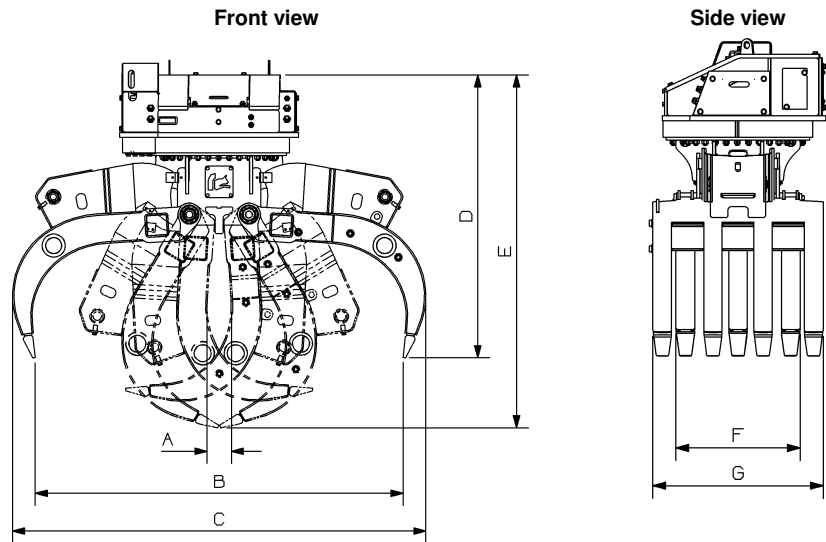
\*High tensile strength steel: 165,000 psi (1138 MPa)

<b>Rotator</b>	<b>Maximum pressure:</b> 5000 psi (345 bars)	<b>Recommended flow:</b> 32 gpm (121 l/min.)
Rotator recommended flow will produce a speed of 12 rpm.		

Cylinder	Diameter	Recommended pressure	Pressure range	Flow range	Lock valves
Standard	4 1/2" (114 mm)	4000 psi (276 bars)	3000 - 5000 psi (207 - 345 bars)	29 - 41 gpm (110 - 155 l/min.)	no

Grapple cylinder maximum flow will theoretically produce a complete grapple open/close cycle in 5 seconds.

Reference	Dimension
A	6 3/8 in. (162 mm)
B	95 3/4 in. (2432 mm)
C	107 5/8 in. (2734 mm)
D	73 1/2 in. (1867 mm)
E	91 3/4 in. (2330 mm)
F	30 3/8 in. (772 mm)
G	41 5/8 in. (1057 mm)
H	
I	
J	
K	



OPTIONS: Custom lugging on rotator. Mini heel set, one on each side of grapple head. Float on swing motor. Positioning cylinder kit, including bracket. 2 function valve-in-head kit. Installation kit

web site: [www.rotobec.com](http://www.rotobec.com)

e-mail: [rotobec@rotobec.com](mailto:rotobec@rotobec.com)

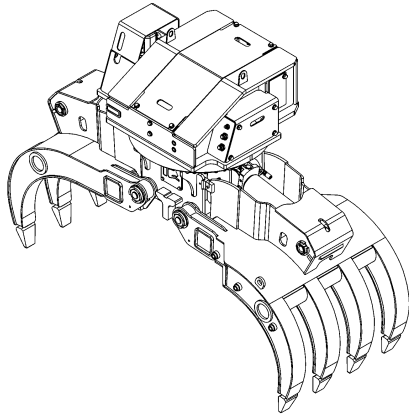
Rotobec Inc.: Head office serving OEM's and Eastern Canada  
 Rotobec West: Branch serving Western Canada and Western USA  
 Rotobec USA: Branch serving Eastern and Central USA

Ph: (418) 383-3002 Fax: (418) 383-5334  
 Ph: (250) 765-1161 Fax: (250) 765-0035  
 Ph: (603) 444-2103 Fax: (603) 444-0327



# Power Attachment

## RPA60100R with rotator RGP-1704



<b>Opening</b>	95 3/4 in. (2432 mm)
<b>Closing</b>	6 3/8 in. (162 mm)
<b>Volume</b>	.490 cord of 8 ft. wood
<b>Area tip to tip</b>	7.8 sq. ft. (.73 sq. meter)
<b>Rotator lifting capacity</b>	170000 lb (77111 kg)
<b>Torque at relief pressure</b>	218520 in. lb (24692 Nm) @ 2200 psi (152 bars)
<b>Steel* thickness</b>	1/2" (13 mm)
<b>Weight</b>	5600 lb (2540 kg)

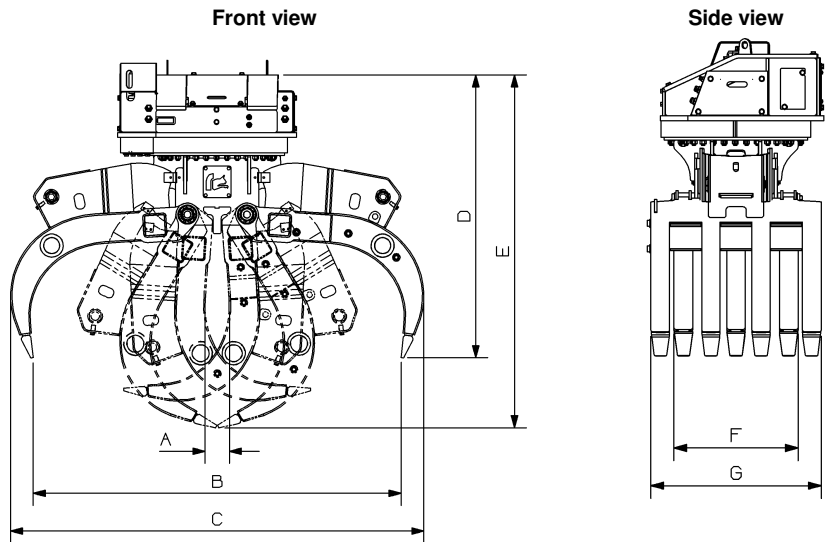
\*High tensile strength steel: 165,000 psi (1138 MPa)

<b>Rotator</b>	<b>Maximum pressure:</b> 5000 psi (345 bars)	<b>Recommended flow:</b> 32 gpm (121 l/min.)
Rotator recommended flow will produce a speed of 12 rpm.		

Cylinder	Diameter	Recommended pressure	Pressure range	Flow range	Lock valves
Standard	4 1/2" (114 mm)	4000 psi (276 bars)	3000 - 5000 psi (207 - 345 bars)	29 - 41 gpm (110 - 155 l/min.)	no

Grapple cylinder maximum flow will theoretically produce a complete grapple open/close cycle in 5 seconds.

Reference	Dimension
A	6 3/8 in. (162 mm)
B	95 3/4 in. (2432 mm)
C	107 5/8 in. (2734 mm)
D	73 1/2 in. (1867 mm)
E	91 3/4 in. (2330 mm)
F	30 3/8 in. (772 mm)
G	41 5/8 in. (1057 mm)
H	
I	
J	
K	



OPTIONS: Custom lugging on rotator. Mini heel set, one on each side of grapple head. Float on swing motor. Positioning cylinder kit, including bracket. 2 function valve-in-head kit. Installation kit

web site: [www.rotobec.com](http://www.rotobec.com)

e-mail: [rotobec@rotobec.com](mailto:rotobec@rotobec.com)

Rotobec Inc.: Head office serving OEM's and Eastern Canada  
 Rotobec West: Branch serving Western Canada and Western USA  
 Rotobec USA: Branch serving Eastern and Central USA

Ph: (418) 383-3002 Fax: (418) 383-5334  
 Ph: (250) 765-1161 Fax: (250) 765-0035  
 Ph: (603) 444-2103 Fax: (603) 444-0327