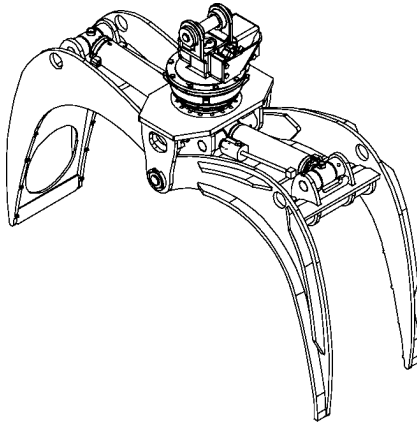




ROTOBEC™

Rail Grapple

6606HDRA with rotator RT-252



Opening	76 1/8 in. (1934 mm)
Closing	6 3/8 in. (162 mm)
Volume	.441 cord of 8 ft. wood
Area tip to tip	7.1 sq. ft. (.66 sq. meter)
Rotator lifting capacity	25000 lb (11340 kg)
Torque at relief pressure	16150 in.lb (1825 Nm) @ 1450 psi (100 bars)
Steel* thickness	3/4" (19 mm)
Weight	1570 lb (712 kg)

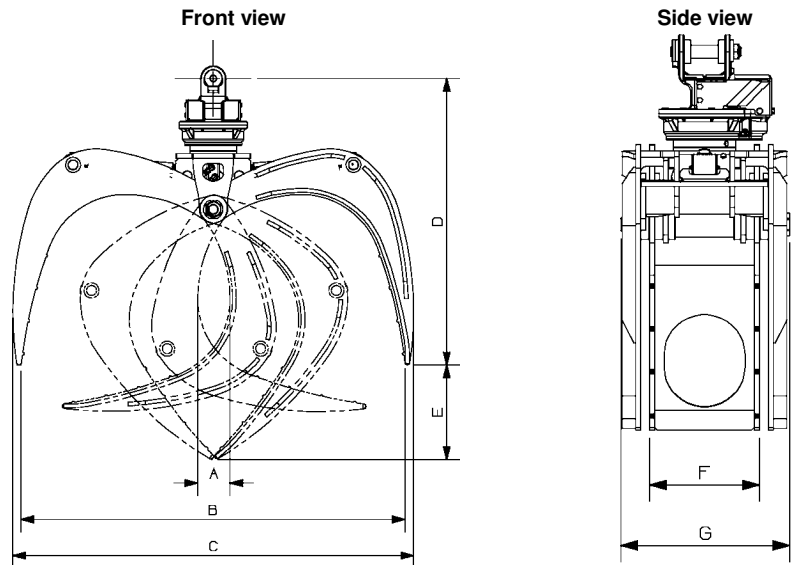
*High tensile strength steel: 165,000 psi (1138 MPa)

Rotator	Maximum pressure: 5000 psi (345 bars)	Recommended flow: 9 gpm (34 l/min.)
Rotator recommended flow will produce a speed of 30 rpm.		

Cylinder	Diameter	Recommended pressure	Pressure range	Flow range	Lock valves
Standard	4" (102 mm)	3000 psi (207 bars)	2500 - 3500 psi (172 - 241 bars)	23 - 35 gpm (87 - 132 l/min.)	yes
Standard	3 1/2" (89 mm)	4050 psi (279 bars)	3600 - 4500 psi (248 - 310 bars)	17 - 26 gpm (64 - 98 l/min.)	yes

Grapple cylinder maximum flow will theoretically produce a complete grapple open/close cycle in 4 seconds.

Reference	Dimension
A	6 3/8 in. (162 mm)
B	76 1/8 in. (1934 mm)
C	79 1/2 in. (2019 mm)
D	56 5/8 in. (1438 mm)
E	18 3/4 in. (476 mm)
F	16 3/8 in. (416 mm)
G	25 1/8 in. (638 mm)
H	



web site: www.rotobec.com

e-mail: rotobec@rotobec.com

Rotobec Inc.: Head office serving OEM's and Eastern Canada
 Rotobec West: Branch serving Western Canada and Western USA
 Rotobec USA: Branch serving Eastern and Central USA

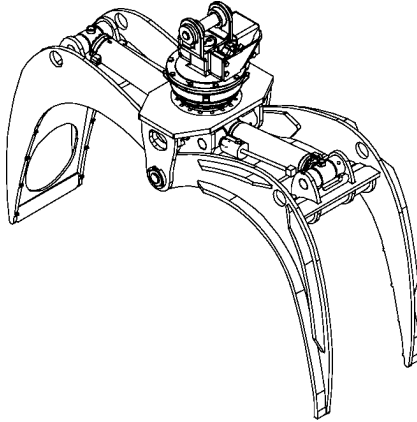
Ph: (418) 383-3002 Fax: (418) 383-5334
 Ph: (250) 765-1161 Fax: (250) 765-0035
 Ph: (603) 444-2103 Fax: (603) 444-0327



ROTOBEC™

Rail Grapple

6606HDRA with rotator RT-322



Opening	76 1/8 in. (1934 mm)
Closing	6 3/8 in. (162 mm)
Volume	.441 cord of 8 ft. wood
Area tip to tip	7.1 sq. ft. (.66 sq. meter)
Rotator lifting capacity	32000 lb (14515 kg)
Torque at relief pressure	16150 in.lb (1825 Nm) @ 1450 psi (100 bars)
Steel* thickness	3/4" (19 mm)
Weight	1610 lb (730 kg)

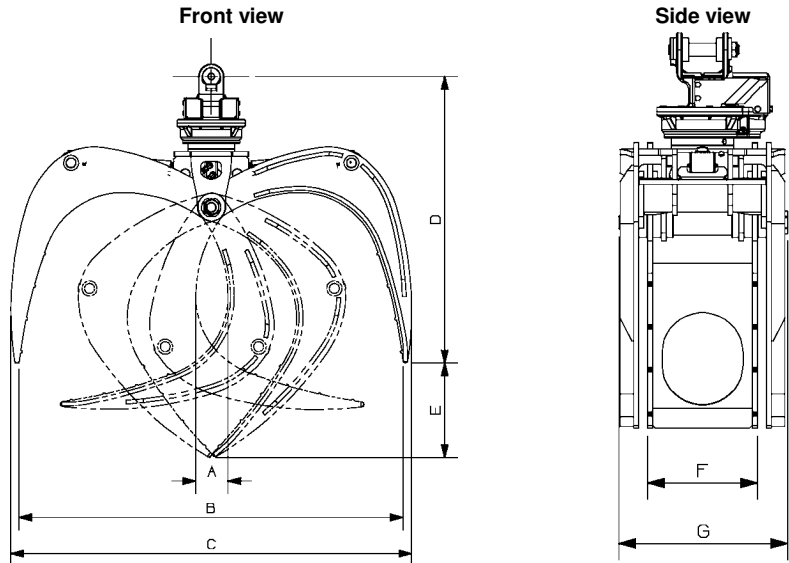
*High tensile strength steel: 165,000 psi (1138 MPa)

Rotator	Maximum pressure: 5000 psi (345 bars)	Recommended flow: 9 gpm (34 l/min.)
Rotator recommended flow will produce a speed of 30 rpm.		

Cylinder	Diameter	Recommended pressure	Pressure range	Flow range	Lock valves
Standard	4" (102 mm)	3000 psi (207 bars)	2500 - 3500 psi (172 - 241 bars)	23 - 35 gpm (87 - 132 l/min.)	yes
Standard	3 1/2" (89 mm)	4050 psi (279 bars)	3600 - 4500 psi (248 - 310 bars)	17 - 26 gpm (64 - 98 l/min.)	yes

Grapple cylinder maximum flow will theoretically produce a complete grapple open/close cycle in 4 seconds.

Reference	Dimension
A	6 3/8 in. (162 mm)
B	76 1/8 in. (1934 mm)
C	79 1/2 in. (2019 mm)
D	57 1/8 in. (1451 mm)
E	18 3/4 in. (476 mm)
F	16 3/8 in. (416 mm)
G	25 1/8 in. (638 mm)
H	



web site: www.rotobec.com

e-mail: rotobec@rotobec.com

Rotobec Inc.: Head office serving OEM's and Eastern Canada
 Rotobec West: Branch serving Western Canada and Western USA
 Rotobec USA: Branch serving Eastern and Central USA

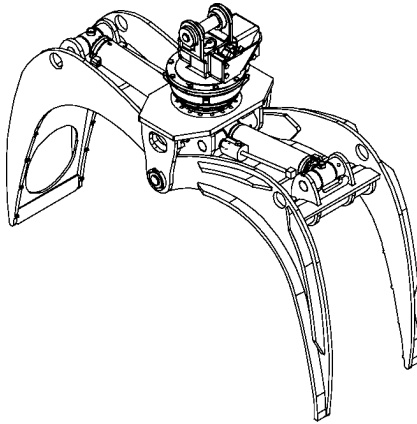
Ph: (418) 383-3002 Fax: (418) 383-5334
 Ph: (250) 765-1161 Fax: (250) 765-0035
 Ph: (603) 444-2103 Fax: (603) 444-0327



ROTOBEC™

Rail Grapple

6606HDRA with rotator RT-502-STD



Opening	76 1/8 in. (1934 mm)
Closing	6 3/8 in. (162 mm)
Volume	.441 cord of 8 ft. wood
Area tip to tip	7.1 sq. ft. (.66 sq. meter)
Rotator lifting capacity	50000 lb (22680 kg)
Torque at relief pressure	18630 in.lb (2105 Nm) @ 1450 psi (100 bars)
Steel* thickness	3/4" (19 mm)
Weight	1755 lb (796 kg)

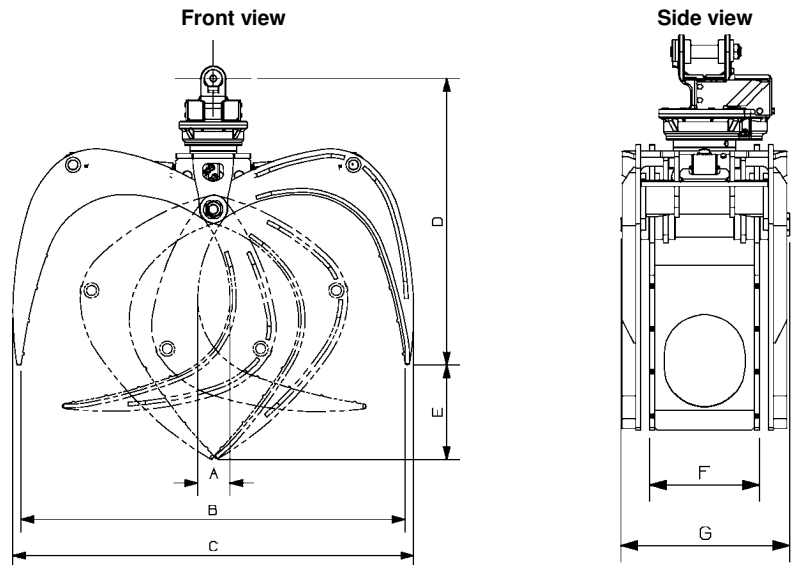
*High tensile strength steel: 165,000 psi (1138 MPa)

Rotator	Maximum pressure: 5000 psi (345 bars)	Recommended flow: 9 gpm (34 l/min.)
Rotator recommended flow will produce a speed of 25 rpm.		

Cylinder	Diameter	Recommended pressure	Pressure range	Flow range	Lock valves
Standard	4" (102 mm)	3000 psi (207 bars)	2500 - 3500 psi (172 - 241 bars)	23 - 35 gpm (87 - 132 l/min.)	yes
Standard	3 1/2" (89 mm)	4050 psi (279 bars)	3600 - 4500 psi (248 - 310 bars)	17 - 26 gpm (64 - 98 l/min.)	yes

Grapple cylinder maximum flow will theoretically produce a complete grapple open/close cycle in 4 seconds.

Reference	Dimension
A	6 3/8 in. (162 mm)
B	76 1/8 in. (1934 mm)
C	79 1/2 in. (2019 mm)
D	58 in. (1473 mm)
E	18 3/4 in. (476 mm)
F	16 3/8 in. (416 mm)
G	25 1/8 in. (638 mm)
H	



web site: www.rotobec.com

e-mail: rotobec@rotobec.com

Rotobec Inc.: Head office serving OEM's and Eastern Canada
 Rotobec West: Branch serving Western Canada and Western USA
 Rotobec USA: Branch serving Eastern and Central USA

Ph: (418) 383-3002 Fax: (418) 383-5334
 Ph: (250) 765-1161 Fax: (250) 765-0035
 Ph: (603) 444-2103 Fax: (603) 444-0327