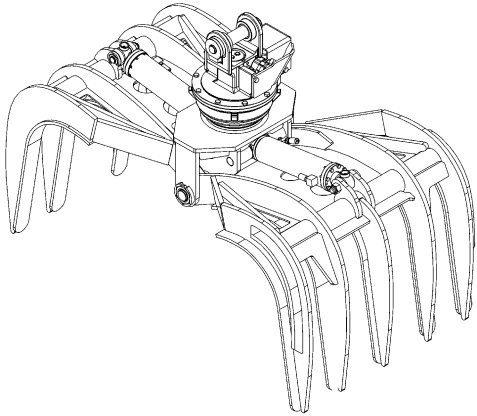




# Multi Purpose Grapple

## 6609MUL with rotator RT-252



<b>Opening</b>	65" in. (1651 mm)
<b>Closing</b>	10 3/4 in. (273 mm)
<b>Volume</b>	.98 cubic yards      0.75 cubic meters
<b>Area tip to tip</b>	5.3 sq. ft. (.49 sq. meter)
<b>Rotator lifting capacity</b>	25000 lb (11340 kg)
<b>Torque at relief pressure</b>	16150 in.lb (1825 Nm) @ 1450 psi (100 bars)
<b>Steel* thickness</b>	3/4" (19 mm)
<b>Weight</b>	1515 lb (687 kg)

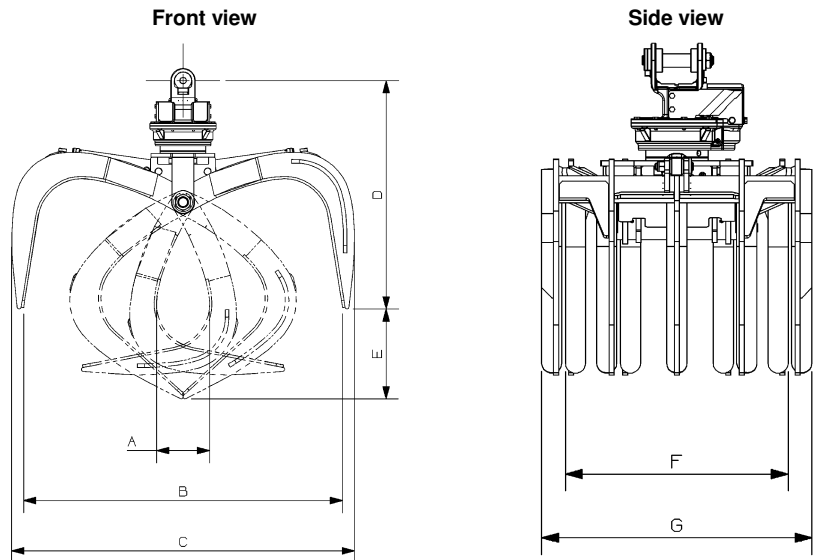
\*High tensile strength steel: 165,000 psi (1138 MPa)

<b>Rotator</b>	<b>Maximum pressure:</b> 5000 psi (345 bars)	<b>Recommended flow:</b> 9 gpm (34 l/min.)
Rotator recommended flow will produce a speed of 30 rpm.		

Cylinder	Diameter	Recommended pressure	Pressure range	Flow range	Lock valves
Standard	3 1/2" (89 mm)	3050 psi (210 bars)	2600 - 3500 psi (179 - 241 bars)	16 - 24 gpm (61 - 91 l/min.)	n/a
Standard	3" (76 mm)	4050 psi (279 bars)	3600 - 4500 psi (248 - 310 bars)	11 - 16 gpm (42 - 61 l/min.)	n/a

Grapple cylinder maximum flow will theoretically produce a complete grapple open/close cycle in 4 seconds.

Reference	Dimension
A	10 3/4 in. (273 mm)
B	65 in. (1651 mm)
C	70 in. (1778 mm)
D	46 1/2 in. (1181 mm)
E	18 1/4 in. (464 mm)
F	33 in. (838 mm)
G	40 in. (1016 mm)



web site: [www.rotobec.com](http://www.rotobec.com)

e-mail: [rotobec@rotobec.com](mailto:rotobec@rotobec.com)

Rotobec Inc.: Head office serving OEM's and Eastern Canada  
 Rotobec West: Branch serving Western Canada and Western USA  
 Rotobec USA: Branch serving Eastern and Central USA

Ph: (418) 383-3002      Fax: (418) 383-5334  
 Ph: (250) 765-1161      Fax: (250) 765-0035  
 Ph: (603) 444-2103      Fax: (603) 444-0327