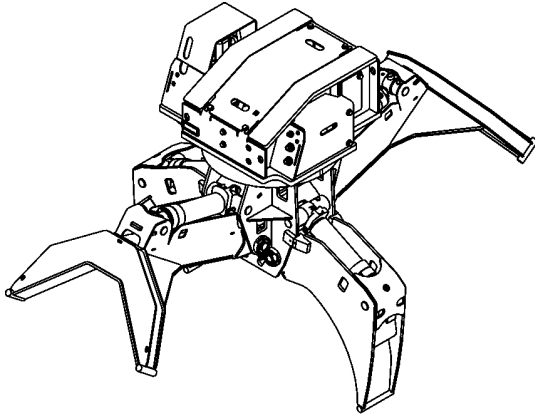




ROTOBEC™

Butt'n top grapple, tree length - Sorting

B450S with rotator RGP-1706



Opening	78 1/4 in. (1988 mm)
Closing	15 1/8 in. (384 mm)
Volume	1.01 cord of 27 ft. wood
Area tip to tip	4.8 sq. ft. (.45 sq. meter)
Rotator lifting capacity	170000 lb (77111 kg)
Torque at relief pressure	218520 in. lb (24692 Nm) @ 2200 psi (152 bars)
Steel* thickness	
Weight	6070 lb (2753 kg)

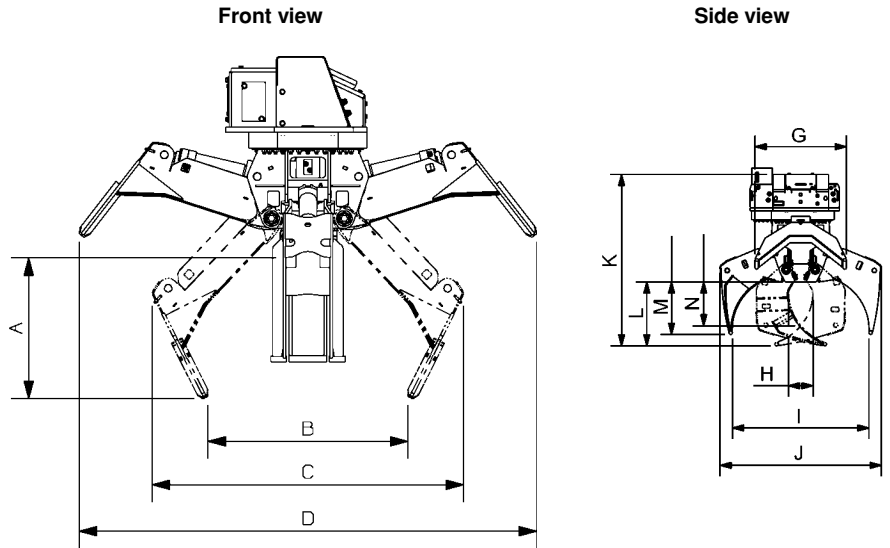
*High tensile strength steel: 165,000 psi (1138 MPa)

Rotator	Maximum pressure: 5000 psi (345 bars)	Recommended flow: 32 gpm (121 l/min.)
Rotator recommended flow will produce a speed of 12 rpm.		

Cylinder	Diameter	Recommended pressure	Pressure range	Flow range	Lock valves
Standard	4" (102 mm)	4250 psi (293 bars)	3500 - 5000 psi (241 - 345 bars)	24 - 34 gpm (91 - 129 l/min.)	no

Grapple cylinder maximum flow will theoretically produce a complete grapple open/close cycle in 4 seconds.

Reference	Dimension
A	46 7/8 in. (1191 mm)
B	29 1/4 in. (743 mm)
C	74 3/8 in. (1889 mm)
D	137 3/8 in. (3489 mm)
G	50 in. (1270 mm)
H	15 1/8 in. (384 mm)
I	78 1/4 in. (1988 mm)
J	87 1/4 in. (2216 mm)
K	86 7/8 in. (2207 mm)
L	36 3/8 in. (924 mm)
M	27 1/8 in. (689 mm)
N	26 3/8 in. (670 mm)



* Dimensions vary according to installation.

OPTION: Installation kit. Cylinder tool kit. Custom lugging.
NOTE: Four function electro-hydraulic control valve.

web site: www.rotobec.com

e-mail: rotobec@rotobec.com

Rotobec Inc.: Head office serving OEM's and Eastern Canada
Rotobec West: Branch serving Western Canada and Western USA
Rotobec USA: Branch serving Eastern and Central USA

Ph: (418) 383-3002 Fax: (418) 383-5334
Ph: (250) 765-1161 Fax: (250) 765-0035
Ph: (603) 444-2103 Fax: (603) 444-0327