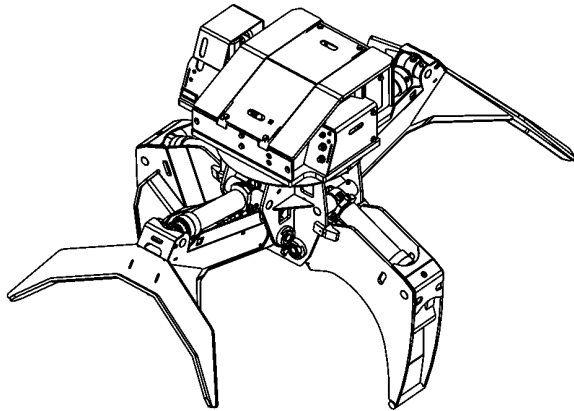




ROTOBEC™

Butt'n top grapple, tree length - Bunching

B650B with rotator RGP-1706



Opening	73 1/8 in. (1857 mm)
Closing	19 1/4 in. (489 mm)
Volume	1.48 cord of 27 ft. wood
Area tip to tip	7 sq. ft. (.65 sq. meter)
Rotator lifting capacity	170000 lb (77111 kg)
Torque at relief pressure	218520 in. lb (24692 Nm) @ 2200 psi (152 bars)
Steel* thickness	
Weight	5985 lb (2715 kg)

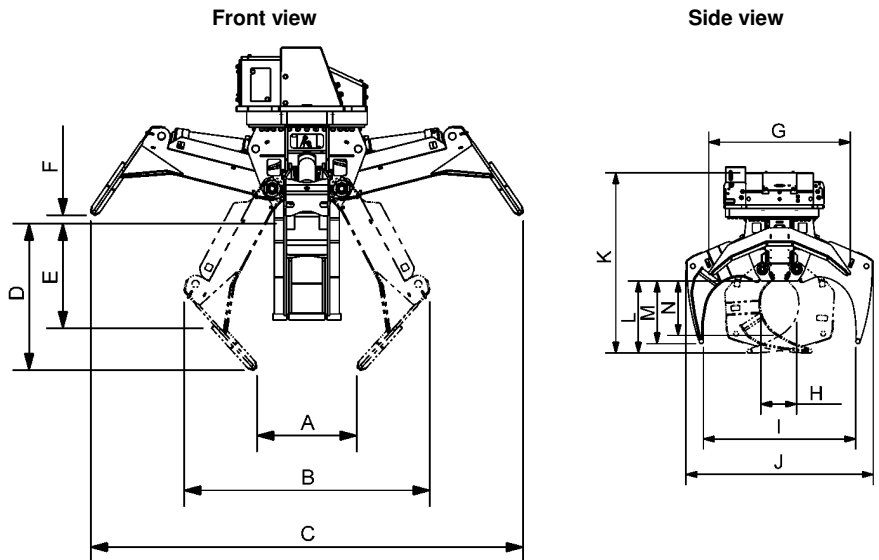
*High tensile strength steel: 165,000 psi (1138 MPa)

Rotator	Maximum pressure: 5000 psi (345 bars)	Recommended flow: 32 gpm (121 l/min.)
Rotator recommended flow will produce a speed of 12 rpm.		

Cylinder	Diameter	Recommended pressure	Pressure range	Flow range	Lock valves
Standard	4" (102 mm)	4250 psi (293 bars)	3500 - 5000 psi (241 - 345 bars)	24 - 34 gpm (91 - 129 l/min.)	no

Grapple cylinder maximum flow will theoretically produce a complete grapple open/close cycle in 5 seconds.

Reference	Dimension
A	30 1/4 in. (768 mm)
B	74 3/8 in. (1889 mm)
C	130 7/8 in. (3324 mm)
D	44 3/8 in. (1127 mm)
E	31 3/4 in. (806 mm)
F	2 1/2 in. (64 mm)
G	66 in. (1676 mm)
H	19 1/4 in. (489 mm)
I	73 1/8 in. (1857 mm)
J	87 1/4 in. (2216 mm)
K	86 in. (2184 mm)
L	35 1/2 in. (902 mm)
M	31 7/8 in. (810 mm)
N	27 1/8 in. (689 mm)



* Dimensions vary according to installation.

OPTION: Installation kit. Cylinder tool kit. Custom lugging.
NOTE: Four function electro-hydraulic control valve.

web site: www.rotobec.com

e-mail: rotobec@rotobec.com

Rotobec Inc.: Head office serving OEM's and Eastern Canada
Rotobec West: Branch serving Western Canada and Western USA
Rotobec USA: Branch serving Eastern and Central USA

Ph: (418) 383-3002 Fax: (418) 383-5334
Ph: (250) 765-1161 Fax: (250) 765-0035
Ph: (603) 444-2103 Fax: (603) 444-0327