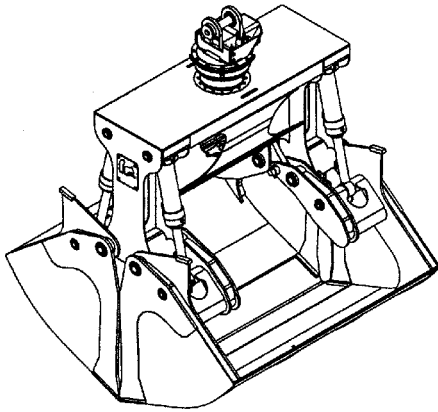




ROTOBEC™

Clamshell Bucket

CSB300 with rotator RT-502-STD



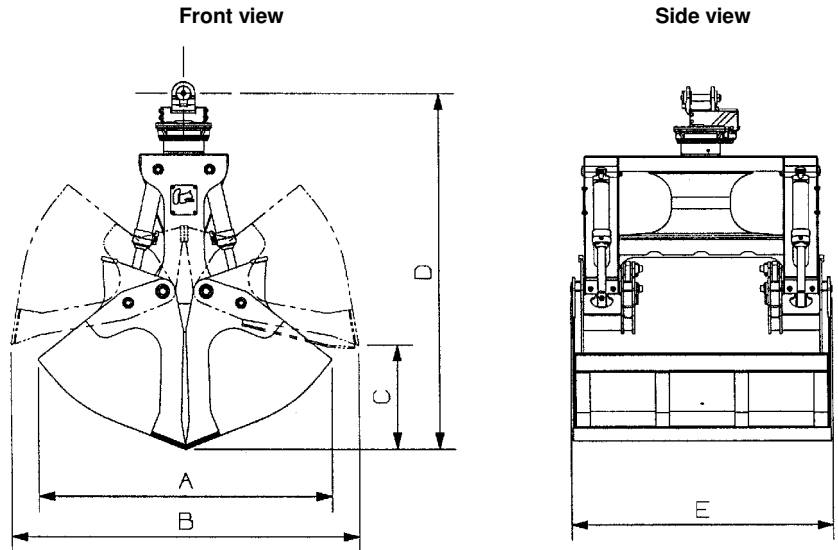
| | | |
|----------------------------------|-----------------------|-----------------------|
| Opening | 96 3/8 in. (2448 mm) | |
| Volume | 3.00 cubic yards | 2.30 cubic meters |
| Rotator lifting capacity | 50000 lb (22680 kg) | |
| Torque at relief pressure | 18630 in.lb (2105 Nm) | @ 1450 psi (100 bars) |
| Weight | 5592 lb (2537 kg) | |

| | | |
|--|--|--|
| Rotator | Maximum pressure: 5000 psi (345 bars) | Recommended flow: 9 gpm (34 l/min.) |
| Rotator recommended flow will produce a speed of 25 rpm. | | |

| Cylinder | Diameter | Recommended pressure | Pressure range | Flow range | Lock valves |
|----------|----------------|----------------------|----------------------------------|--------------------------------|-------------|
| Standard | 3 1/2" (89 mm) | 3500 psi (241 bars) | 2500 - 4500 psi (172 - 310 bars) | 30 - 42 gpm (114 - 159 l/min.) | no |
| | | | | | |
| | | | | | |
| | | | | | |

Grapple cylinder maximum flow will theoretically produce a complete grapple open/close cycle in 5 seconds.

| Reference | Dimension |
|-----------|----------------------|
| A | 81 1/4 in. (2064 mm) |
| B | 96 3/8 in. (2448 mm) |
| C | 29 3/4 in. (756 mm) |
| D | 99 3/4 in. (2534 mm) |
| E | 75 3/8 in. (1915 mm) |



OPTIONS: Bolt-on cutting edges: 300 lb.

web site: www.rotobec.com

e-mail: rotobec@rotobec.com

Rotobec Inc.: Head office serving OEM's and Eastern Canada
 Rotobec West: Branch serving Western Canada and Western USA
 Rotobec USA: Branch serving Eastern and Central USA

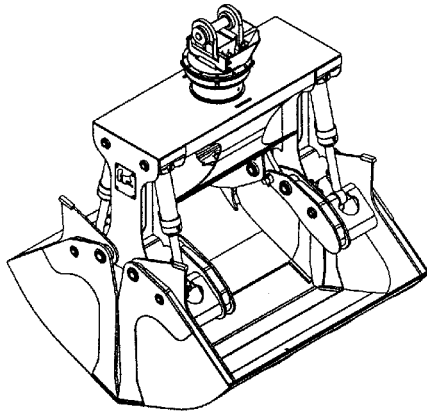
Ph: (418) 383-3002 Fax: (418) 383-5334
 Ph: (250) 765-1161 Fax: (250) 765-0035
 Ph: (603) 444-2103 Fax: (603) 444-0327



ROTOBEC™

Clamshell Bucket

CSB300 with rotator RT-1002-STD



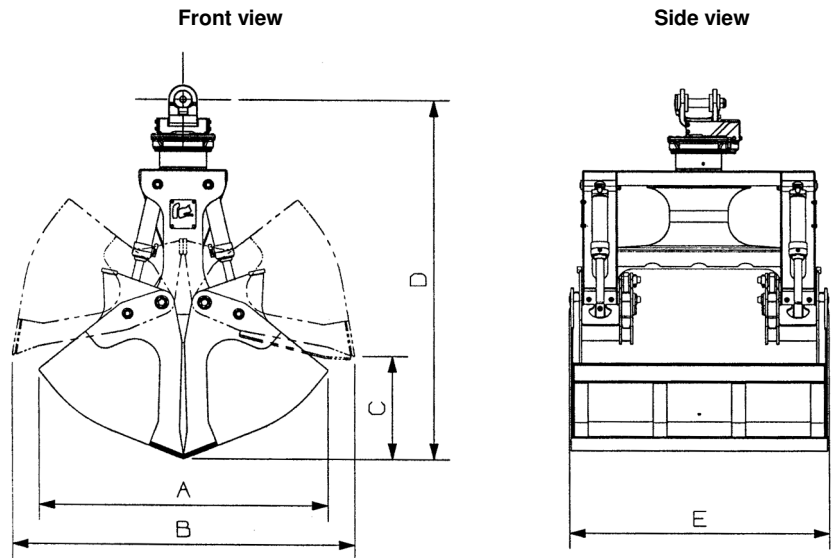
| | | |
|----------------------------------|-----------------------|-----------------------|
| Opening | 96 3/8 in. (2448 mm) | |
| Volume | 3.00 cubic yards | 2.30 cubic meters |
| Rotator lifting capacity | 100000 lb (45360 kg) | |
| Torque at relief pressure | 22360 in.lb (2527 Nm) | @ 1450 psi (100 bars) |
| Weight | 5832 lb (2645 kg) | |

| | | |
|--|--|--|
| Rotator | Maximum pressure: 5000 psi (345 bars) | Recommended flow: 8 gpm (30 l/min.) |
| Rotator recommended flow will produce a speed of 20 rpm. | | |

| Cylinder | Diameter | Recommended pressure | Pressure range | Flow range | Lock valves |
|----------|----------------|----------------------|----------------------------------|--------------------------------|-------------|
| Standard | 3 1/2" (89 mm) | 3500 psi (241 bars) | 2500 - 4500 psi (172 - 310 bars) | 30 - 42 gpm (114 - 159 l/min.) | no |
| | | | | | |
| | | | | | |
| | | | | | |

Grapple cylinder maximum flow will theoretically produce a complete grapple open/close cycle in 5 seconds.

| Reference | Dimension |
|-----------|-----------------------|
| A | 81 1/4 in. (2064 mm) |
| B | 96 3/8 in. (2448 mm) |
| C | 29 3/4 in. (756 mm) |
| D | 102 5/8 in. (2607 mm) |
| E | 75 3/8 in. (1915 mm) |



OPTIONS: Bolt-on cutting edges: 300 lb.

web site: www.rotobec.com

e-mail: rotobec@rotobec.com

Rotobec Inc.: Head office serving OEM's and Eastern Canada
 Rotobec West: Branch serving Western Canada and Western USA
 Rotobec USA: Branch serving Eastern and Central USA

Ph: (418) 383-3002 Fax: (418) 383-5334
 Ph: (250) 765-1161 Fax: (250) 765-0035
 Ph: (603) 444-2103 Fax: (603) 444-0327