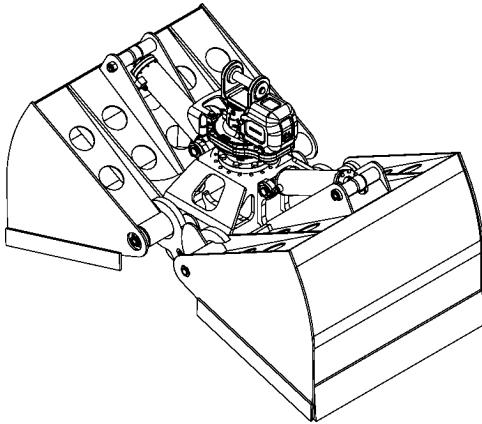




Clamshell Bucket

CSB75 with rotator RT-222



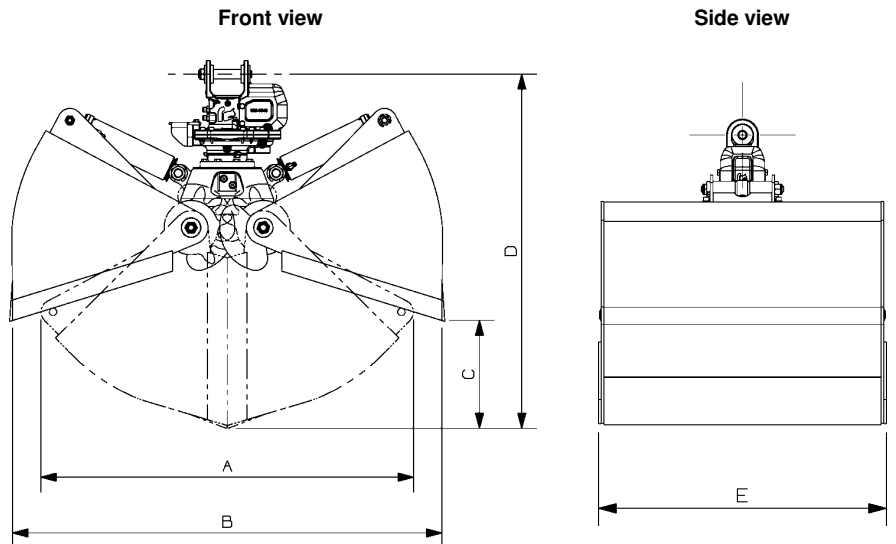
Opening	72 1/4 in. (1835 mm)	
Volume	0.75 cubic yards	0.57 cubic meters
Rotator lifting capacity	22000 lb (9980 kg)	
Torque at relief pressure	10700 in.lb (1209 Nm)	@ 913 psi (63 bars)
Weight	1545 lb (701 kg)	

Rotator	Maximum pressure: 5000 psi (345 bars)	Recommended flow: 10 gpm (38 l/min.)
Rotator recommended flow will produce a speed of 30 rpm.		

Cylinder	Diameter	Recommended pressure	Pressure range	Flow range	Lock valves
Standard	3 1/2" (89 mm)	2350 psi (162 bars)	2000 - 2700 psi (138 - 186 bars)	16 - 24 gpm (61 - 91 l/min.)	no
Standard	3" (76 mm)	3250 psi (224 bars)	2800 - 3700 psi (193 - 255 bars)	11 - 16 gpm (42 - 61 l/min.)	no

Grapple cylinder maximum flow will theoretically produce a complete grapple open/close cycle in 4 seconds.

Reference	Dimension
A	61 3/4 in. (1568 mm)
B	72 1/4 in. (1835 mm)
C	18 in. (457 mm)
D	58 3/4 in. (1492 mm)
E	40 3/4 in. (1035 mm)



web site: www.rotobec.com

e-mail: rotobec@rotobec.com

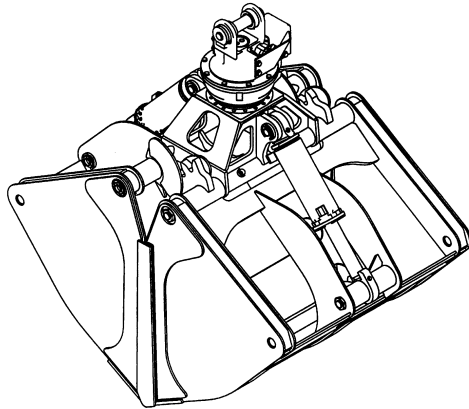
Rotobec Inc.: Head office serving OEM's and Eastern Canada
 Rotobec West: Branch serving Western Canada and Western USA
 Rotobec USA: Branch serving Eastern and Central USA

Ph: (418) 383-3002 Fax: (418) 383-5334
 Ph: (250) 765-1161 Fax: (250) 765-0035
 Ph: (603) 444-2103 Fax: (603) 444-0327



Clamshell Bucket

CSB75 with rotator RT-252



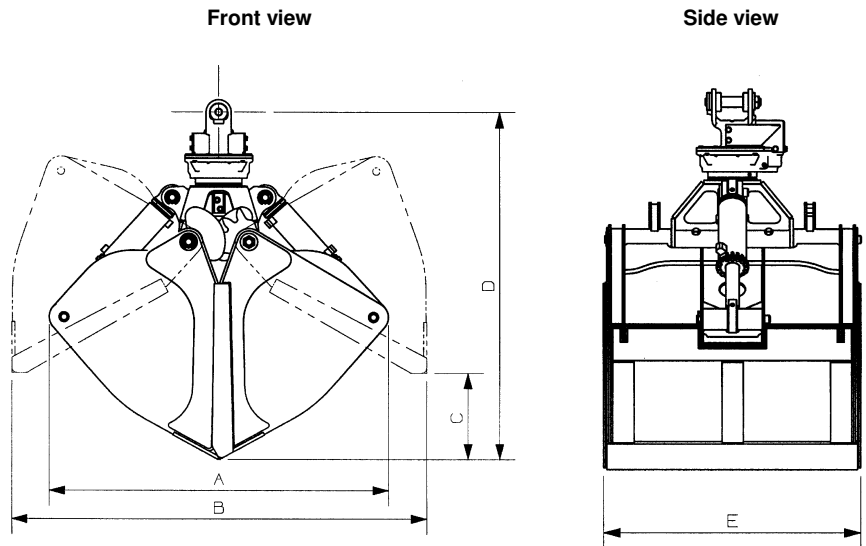
Opening	72 1/4 in. (1835 mm)	
Volume	0.75 cubic yards	0.57 cubic meters
Rotator lifting capacity	25000 lb (11340 kg)	
Torque at relief pressure	16150 in.lb (1825 Nm)	@ 1450 psi (100 bars)
Weight	1622 lb (736 kg)	

Rotator	Maximum pressure: 5000 psi (345 bars)	Recommended flow: 9 gpm (34 l/min.)
Rotator recommended flow will produce a speed of 30 rpm.		

Cylinder	Diameter	Recommended pressure	Pressure range	Flow range	Lock valves
Standard	3 1/2" (89 mm)	2350 psi (162 bars)	2000 - 2700 psi (138 - 186 bars)	16 - 24 gpm (61 - 91 l/min.)	no
Standard	3" (76 mm)	3250 psi (224 bars)	2800 - 3700 psi (193 - 255 bars)	11 - 16 gpm (42 - 61 l/min.)	no

Grapple cylinder maximum flow will theoretically produce a complete grapple open/close cycle in 4 seconds.

Reference	Dimension
A	61 3/4 in. (1568 mm)
B	72 1/4 in. (1835 mm)
C	18 in. (457 mm)
D	59 in. (1499 mm)
E	40 3/4 in. (1035 mm)



web site: www.rotobec.com

e-mail: rotobec@rotobec.com

Rotobec Inc.: Head office serving OEM's and Eastern Canada
 Rotobec West: Branch serving Western Canada and Western USA
 Rotobec USA: Branch serving Eastern and Central USA

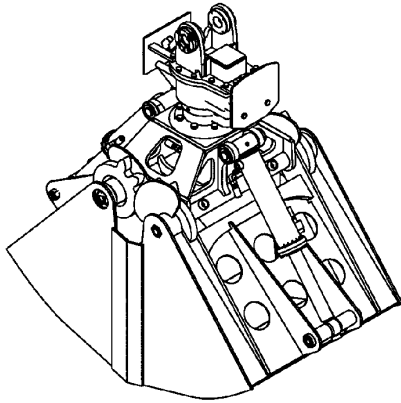
Ph: (418) 383-3002 Fax: (418) 383-5334
 Ph: (250) 765-1161 Fax: (250) 765-0035
 Ph: (603) 444-2103 Fax: (603) 444-0327



ROTOBEC™

Clamshell Bucket

CSB75 with rotator R-9150



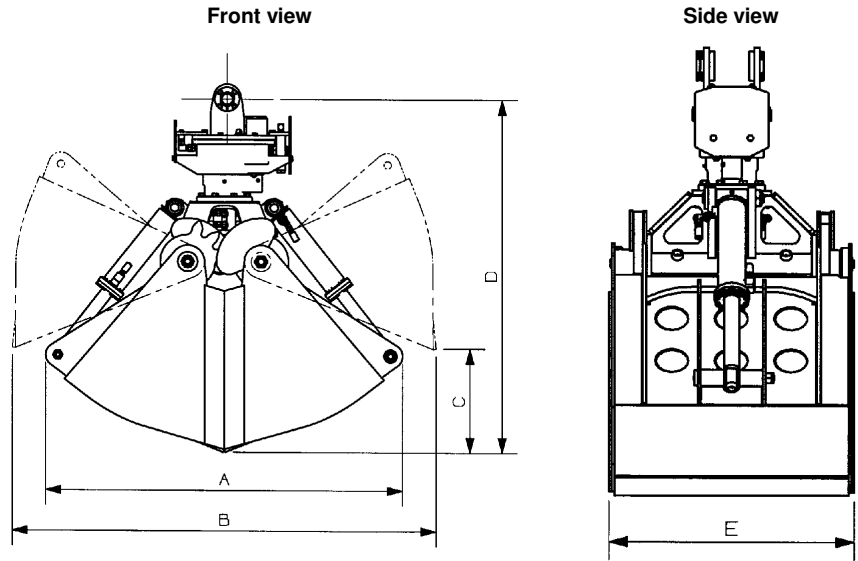
Opening	72 1/4 in. (1835 mm)	
Volume	0.75 cubic yards	0.57 cubic meters
Rotator lifting capacity	18000 lb (8165 kg)	
Torque at relief pressure	8450 in.lb (955 Nm)	@ 913 psi (63 bars)
Weight	1575 lb (714 kg)	

Rotator	Maximum pressure: 4000 psi (276 bars)	Recommended flow: 8 gpm (30 l/min.)
Rotator recommended flow will produce a speed of 30 rpm.		

Cylinder	Diameter	Recommended pressure	Pressure range	Flow range	Lock valves
Standard	3 1/2" (89 mm)	2350 psi (162 bars)	2000 - 2700 psi (138 - 186 bars)	16 - 24 gpm (61 - 91 l/min.)	no
Standard	3" (76 mm)	3250 psi (224 bars)	2800 - 3700 psi (193 - 255 bars)	11 - 16 gpm (42 - 61 l/min.)	no

Grapple cylinder maximum flow will theoretically produce a complete grapple open/close cycle in 4 seconds.

Reference	Dimension
A	61 3/4 in. (1568 mm)
B	72 1/4 in. (1835 mm)
C	18 in. (457 mm)
D	60 3/8 in. (1534 mm)
E	40 3/4 in. (1035 mm)



web site: www.rotobec.com

e-mail: rotobec@rotobec.com

Rotobec Inc.: Head office serving OEM's and Eastern Canada
 Rotobec West: Branch serving Western Canada and Western USA
 Rotobec USA: Branch serving Eastern and Central USA

Ph: (418) 383-3002 Fax: (418) 383-5334
 Ph: (250) 765-1161 Fax: (250) 765-0035
 Ph: (603) 444-2103 Fax: (603) 444-0327