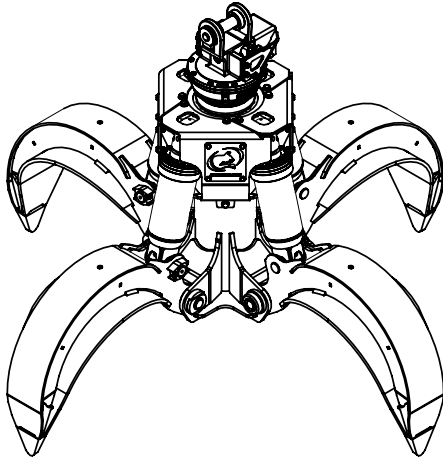




Orange Peel

OP4S100 RT-322-OR4

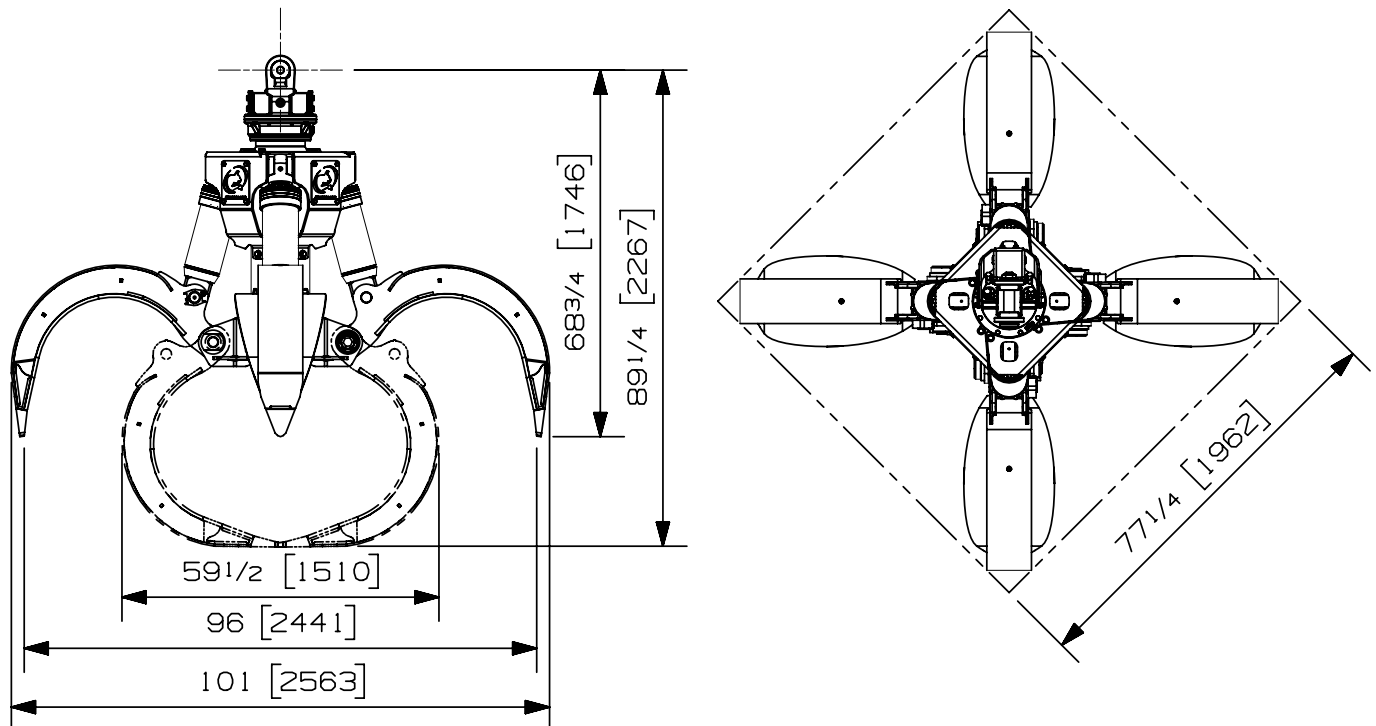


Max load:	- lb	- kg
Volume:	1.00 y ³	.76 m ³
Area tip to tip:	- ft ²	- m ²
Rotator lifting capacity:	32000 lb	14515 kg
Torque at relief pressure:	16150 lb-in 1450 psi	1825 Nm 100 bars
Weight:	2965 lb	1345 kg

Rotator	Maximum pressure: 5000 psi 345 bars	Recommended flow: 9 gpm 34 l/min
Rotator recommended flow will produce a speed of 30 rpm		

Cylinder	Diameter	Recommended pressure	Pressure range	Flow range	Lock valves
Standard	3 " (76 mm)	4300 psi (296 bars)	3600-5000 psi (248-345 bars)	21-29 gpm (79-110 l/min.)	no

Grapple cylinder maximum flow will theoretically produce a complete grapple open/close cycle in 5 seconds.



Options:

-
-
-
-

web site: www.rotobec.com

email: rotobec@rotobec.com

Rotobec Inc.: Head office serving OEM's and Eastern Canada Ph: (418) 383-3002 Fax: (418) 383-5334
Rotobec West: Branch serving Western Canada and Western USA Ph: (250) 765-1161 Fax: (250) 765-0035
Rotobec USA: Branch serving Eastern and Central USA Ph: (603) 444-2103 Fax: (603) 444-0327

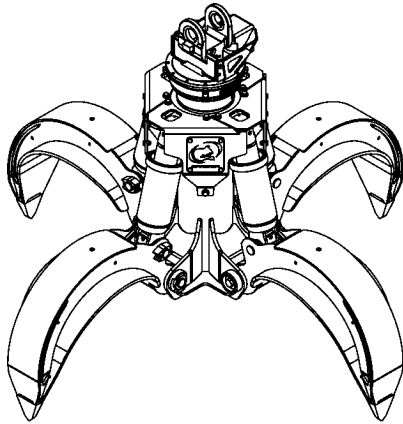
We reserve the right to change specifications and to improve our products without notice or obligation.

07001-8683
09/06/14 **A.C.**



Orange Peel Grapple

OP4S-100 with rotator RT-502-OR4



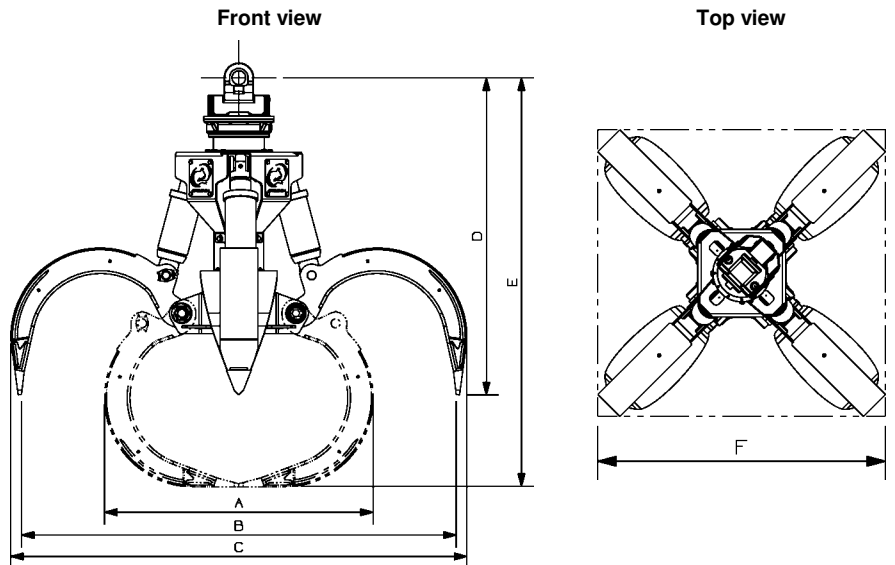
Opening	96 1/8 in. (2442 mm)	
Volume	1.00 cubic yards	0.77 cubic meters
Rotator lifting capacity	50000 lb (22680 kg)	
Torque at relief pressure	18630 in.lb (2105 Nm)	@ 1450 psi (100 bars)
Weight	3110 lb (1411 kg)	

Rotator	Maximum pressure: 5000 psi (345 bars)	Recommended flow: 9 gpm (34 l/min.)
Rotator recommended flow will produce a speed of 25 rpm.		

Cylinder	Diameter	Recommended pressure	Pressure range	Flow range	Lock valves
Standard	3" (76 mm)	4300 psi (297 bars)	3600 - 5000 psi (248 - 345 bars)	21 - 29 gpm (79 - 110 l/min.)	no

Grapple cylinder maximum flow will theoretically produce a complete grapple open/close cycle in 5 seconds.

Reference	Dimension
A	59 3/8 in. (1508 mm)
B	96 1/8 in. (2442 mm)
C	100 7/8 in. (2562 mm)
D	70 1/8 in. (1781 mm)
E	90 3/8 in. (2296 mm)
F	77 1/4 in. (1962 mm)
G	



web site: www.rotobec.com

e-mail: rotobec@rotobec.com

Rotobec Inc.: Head office serving OEM's and Eastern Canada
 Rotobec West: Branch serving Western Canada and Western USA
 Rotobec USA: Branch serving Eastern and Central USA

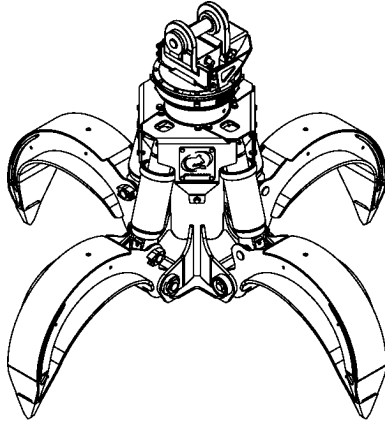
Ph: (418) 383-3002 Fax: (418) 383-5334
 Ph: (250) 765-1161 Fax: (250) 765-0035
 Ph: (603) 444-2103 Fax: (603) 444-0327



ROTOBEC™

Orange Peel Grapple

OP4S-100 with rotator RT-1002-OR4



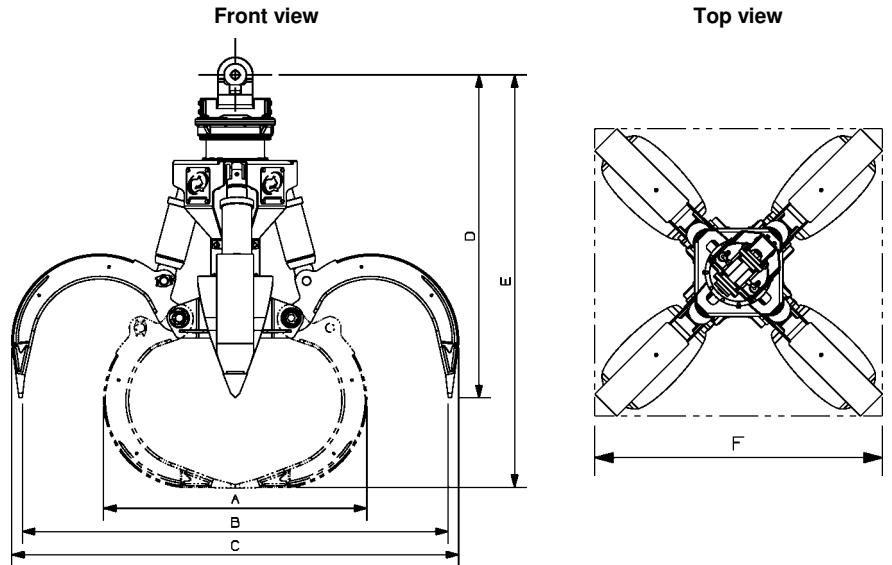
Opening	96 1/8 in. (2442 mm)	
Volume	1.00 cubic yards	0.77 cubic meters
Rotator lifting capacity	100000 lb (45360 kg)	
Torque at relief pressure	22360 in.lb (2527 Nm)	@ 1450 psi (100 bars)
Weight	3315 lb (1504 kg)	

Rotator	Maximum pressure: 5000 psi (345 bars)	Recommended flow: 9 gpm (34 l/min.)
Rotator recommended flow will produce a speed of 20 rpm.		

Cylinder	Diameter	Recommended pressure	Pressure range	Flow range	Lock valves
Standard	3" (76 mm)	4300 psi (297 bars)	3600 - 5000 psi (248 - 345 bars)	21 - 29 gpm (79 - 110 l/min.)	no

Grapple cylinder maximum flow will theoretically produce a complete grapple open/close cycle in 5 seconds.

Reference	Dimension
A	59 3/8 in. (1508 mm)
B	96 1/8 in. (2442 mm)
C	100 7/8 in. (2562 mm)
D	73 in. (1854 mm)
E	93 1/4 in. (2369 mm)
F	77 1/4 in. (1962 mm)
G	



web site: www.rotobec.com

e-mail: rotobec@rotobec.com

Rotobec Inc.: Head office serving OEM's and Eastern Canada
 Rotobec West: Branch serving Western Canada and Western USA
 Rotobec USA: Branch serving Eastern and Central USA

Ph: (418) 383-3002 Fax: (418) 383-5334
 Ph: (250) 765-1161 Fax: (250) 765-0035
 Ph: (603) 444-2103 Fax: (603) 444-0327