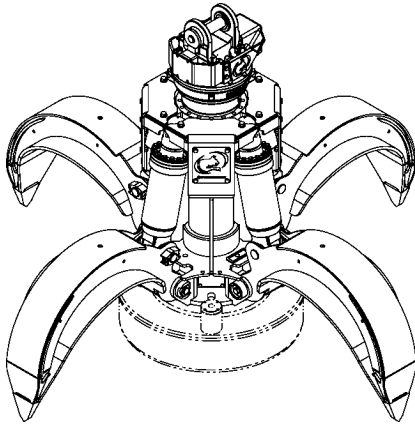




**ROTOBEC™**

# Orange Peel Mag-Grab

## OPM4S-200 with rotator RT-1002E02-OR4



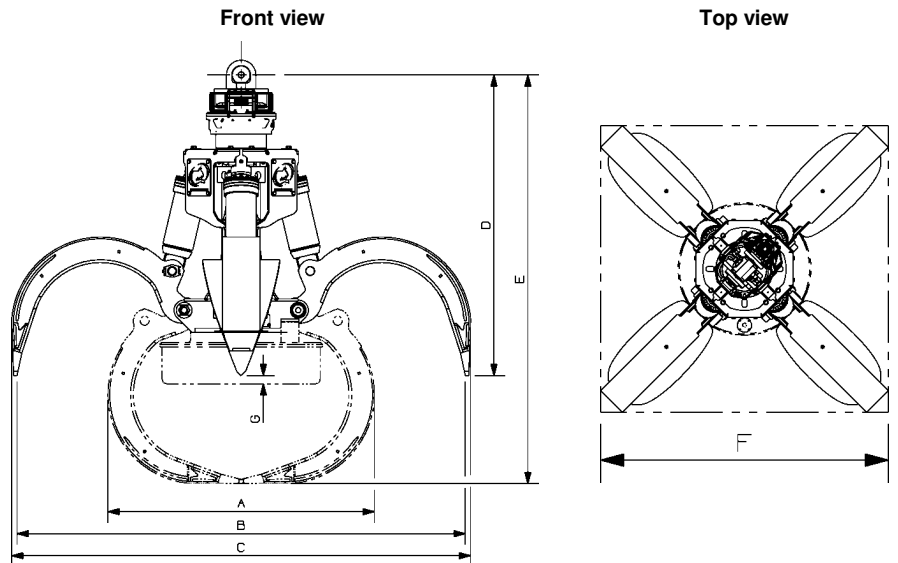
<b>Opening</b>	130 1/2 in. (3315 mm)	
<b>Volume</b>	2.00 cubic yards	1.53 cubic meters
<b>Rotator lifting capacity</b>	100000 lb (45360 kg)	
<b>Torque at relief pressure</b>	22360 in.lb (2527 Nm)	@ 1450 psi (100 bars)
<b>Weight</b>	7600 lb (3447 kg)	

<b>Rotator</b>	<b>Maximum pressure:</b> 5000 psi (345 bars)	<b>Recommended flow:</b> 8 gpm (30 l/min.)
Rotator recommended flow will produce a speed of 20 rpm.		

Cylinder	Diameter	Recommended pressure	Pressure range	Flow range	Lock valves
Standard	3 1/2" (89 mm)	4300 psi (297 bars)	3600 - 5000 psi (248 - 345 bars)	37 - 52 gpm (140 - 197 l/min.)	no

Grapple cylinder maximum flow will theoretically produce a complete grapple open/close cycle in 5 seconds.

Reference	Dimension
A	72 in. (1829 mm)
B	130 1/2 in. (3315 mm)
C	134 in. (3404 mm)
D	79 1/4 in. (2013 mm)
E	115 1/2 in. (2934 mm)
F	100 1/2 in. (2553 mm)
G	3 1/2 in. (89 mm)



With 44" magnet. (2500 lb / 1134 kg). Total weight includes magnet. Optional with 40" magnet (2050 lb / 930 kg).

**web site:** [www.rotobec.com](http://www.rotobec.com)

**e-mail:** [rotobec@rotobec.com](mailto:rotobec@rotobec.com)

Rotobec Inc.: Head office serving OEM's and Eastern Canada  
 Rotobec West: Branch serving Western Canada and Western USA  
 Rotobec USA: Branch serving Eastern and Central USA

Ph: (418) 383-3002      Fax: (418) 383-5334  
 Ph: (250) 765-1161      Fax: (250) 765-0035  
 Ph: (603) 444-2103      Fax: (603) 444-0327