

MAG GRAPPLE

OPM4S125-B

RT502E02-OR4

MAGNET 40 PO

SPECIFICATION TECHNIQUE
TECHNICAL DATA

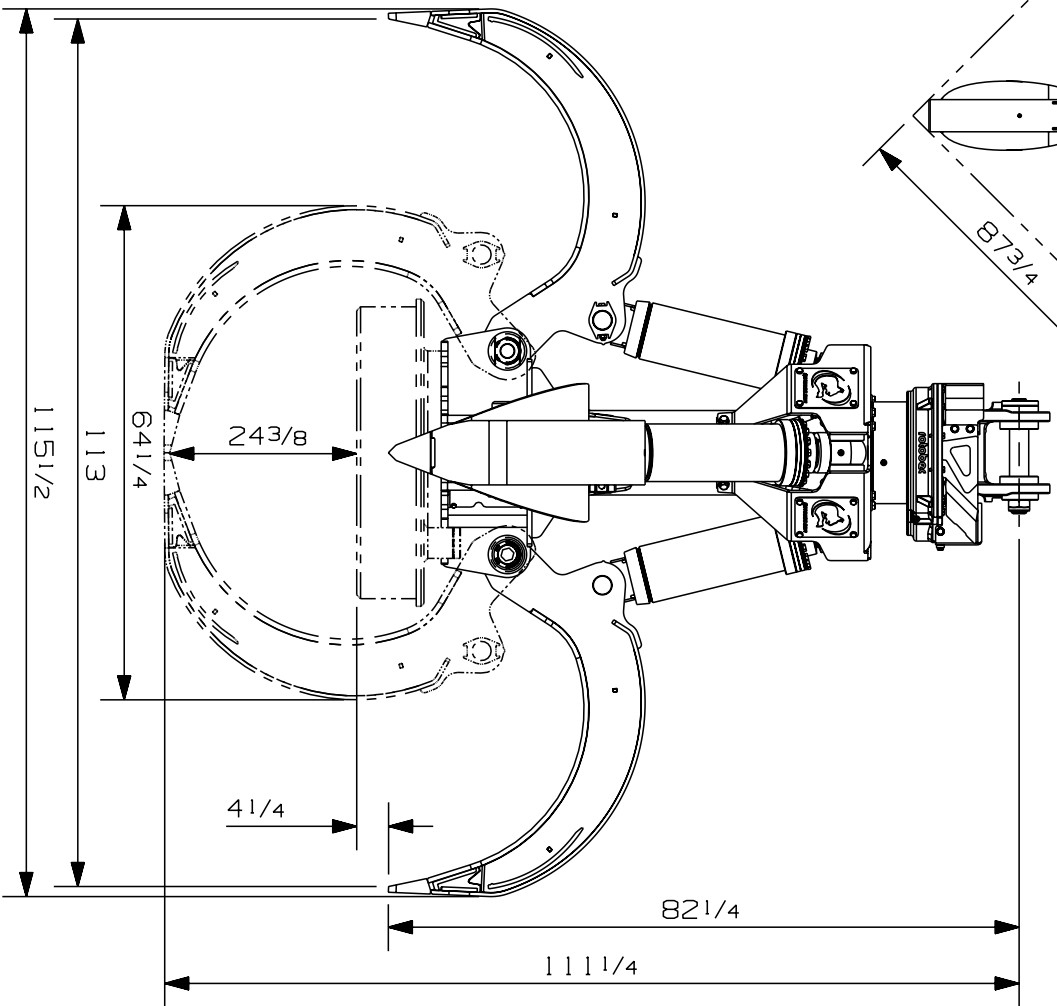
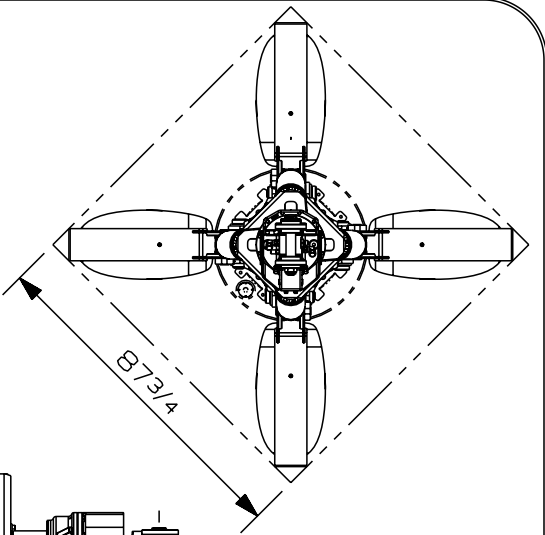
CAPACITE:	0.95 m ³
CAPACITY:	1.25 y ³
POIDS:	6370 lbs
WEIGHT:	
DIA. DU CYLINDRE:	31/2"
CYLINDER DIAMETER:	
PRESSION MAXIMUM:	5000 PSI
MAXIMUM PRESSURE:	
DEBIT MAXIMUM:	52 GPM
MAXIMUM FLOW:	
POIDS AIMANT:	1840 lbs
MAGNET WEIGHT:	



ROTORBEC™

Nous nous reservons le droit de modifier nos specifications et d'ameliorer nos produits sans autre avis ou obligation.
We reserve the right to change specifications and improve our products without notice or obligation.

07001-9564/00 (AL TRÉP)
08/07/10
PUB.OPM4S125-B_RT502E02-OR4_M40



MAG GRAPPLE
OPM4S125-B

RT1002E02-OR4

MAGNET 40 PO

SPECIFICATION TECHNIQUE
TECHNICAL DATA

CAPACITE:	0.95 m ³
CAPACITY:	1.25 y ³
POIDS:	6650 lbs
WEIGHT:	
DIA. DU CYLINDRE:	3 1/2"
CYLINDER DIAMETER:	
PRESSION MAXIMUM:	5000 PSI
MAXIMUM PRESSURE:	
DEBIT MAXIMUM:	52 GPM
MAXIMUM FLOW:	
POIDS AIMANT:	1840 lbs
MAGNET WEIGHT:	



ROTORBECCTM

Nous nous reservons le droit de modifier nos specifications et d'ameliorer nos produits sans autre avis ou obligation.
We reserve the right to change specifications and improve our products without notice or obligation.