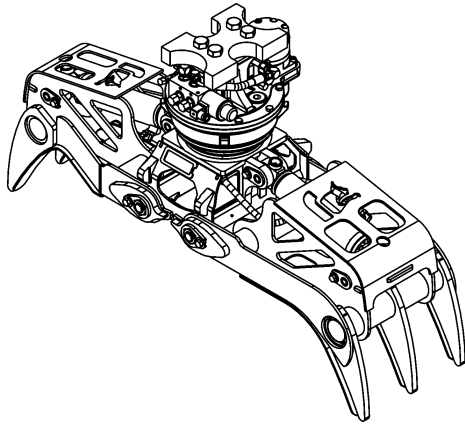




**ROTOBEC™**

# Mini Power Attachment

## PC015R with rotator RGP-252



<b>Opening</b>	59 1/4 in. (1505 mm)
<b>Closing</b>	6 in. (152 mm)
<b>Volume</b>	.15 cubic yards      0.11 cubic meters
<b>Area tip to tip</b>	1.7 sq. ft. (.16 sq. meter)
<b>Rotator lifting capacity</b>	25000 lb (11340 kg)
<b>Torque at relief pressure</b>	15720 in.lb (1776 Nm) @ 913 psi (63 bars)
<b>Steel* thickness</b>	3/8" (10 mm)
<b>Weight</b>	760 lb (345 kg)

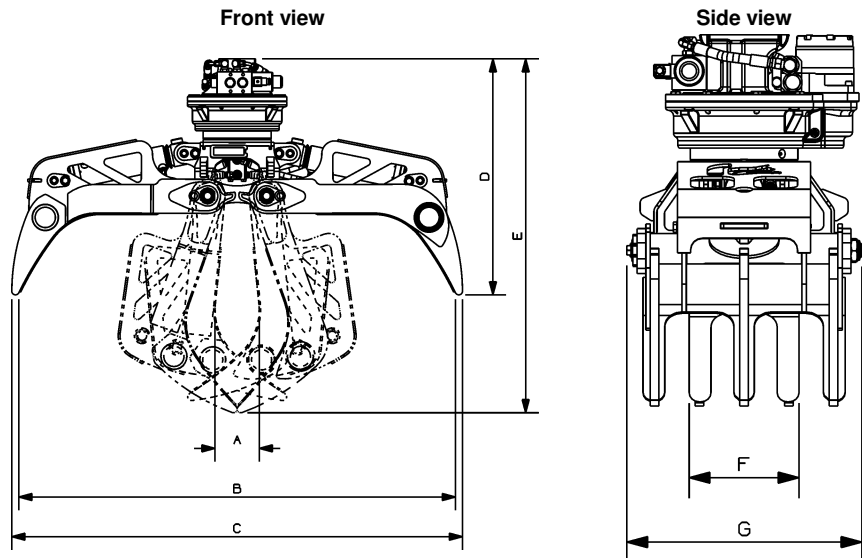
\*High tensile strength steel: 165,000 psi (1138 MPa)

<b>Rotator</b>	<b>Maximum pressure:</b> 4200 psi (290 bars)	<b>Recommended flow:</b> 10 gpm (38 l/min.)
Rotator recommended flow will produce a speed of 21 rpm.		

Cylinder	Diameter	Recommended pressure	Pressure range	Flow range	Lock valves
Standard	2 1/2" (64 mm)	3700 psi (255 bars)	3200 - 4200 psi (221 - 290 bars)	6 - 9 gpm (23 - 34 l/min.)	no

Grapple cylinder maximum flow will theoretically produce a complete grapple open/close cycle in 4 seconds.

Reference	Dimension
A	6 in. (152 mm)
B	59 1/4 in. (1505 mm)
C	61 in. (1549 mm)
D	32 in. (813 mm)
E	48 in. (1219 mm)
F	17 3/8 in. (441 mm)
G	20 1/4 in. (514 mm)



OPTIONS: Pin-on or quick attach lugging.  
NOTE: Designed to be mounted positioned

web site: [www.rotobec.com](http://www.rotobec.com)

e-mail: [rotobec@rotobec.com](mailto:rotobec@rotobec.com)

Rotobec Inc.: Head office serving OEM's and Eastern Canada  
Rotobec West: Branch serving Western Canada and Western USA  
Rotobec USA: Branch serving Eastern and Central USA

Ph: (418) 383-3002      Fax: (418) 383-5334  
Ph: (250) 765-1161      Fax: (250) 765-0035  
Ph: (603) 444-2103      Fax: (603) 444-0327