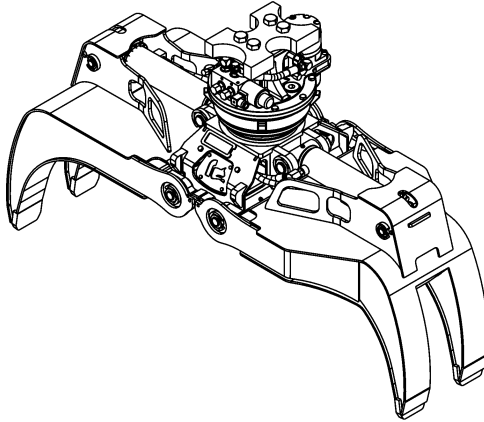




ROTOBEC™

Mini Power Attachment

PC025R with rotator RGP-252



Opening	62 3/8 in. (1584 mm)
Closing	5 1/8 in. (130 mm)
Volume	.31 cubic yards 0.24 cubic meters
Area tip to tip	2.8 sq. ft. (.26 sq. meter)
Rotator lifting capacity	25000 lb (11340 kg)
Torque at relief pressure	15720 in.lb (1776 Nm) @ 913 psi (63 bars)
Steel* thickness	3/8" (10 mm)
Weight	1020 lb (463 kg)

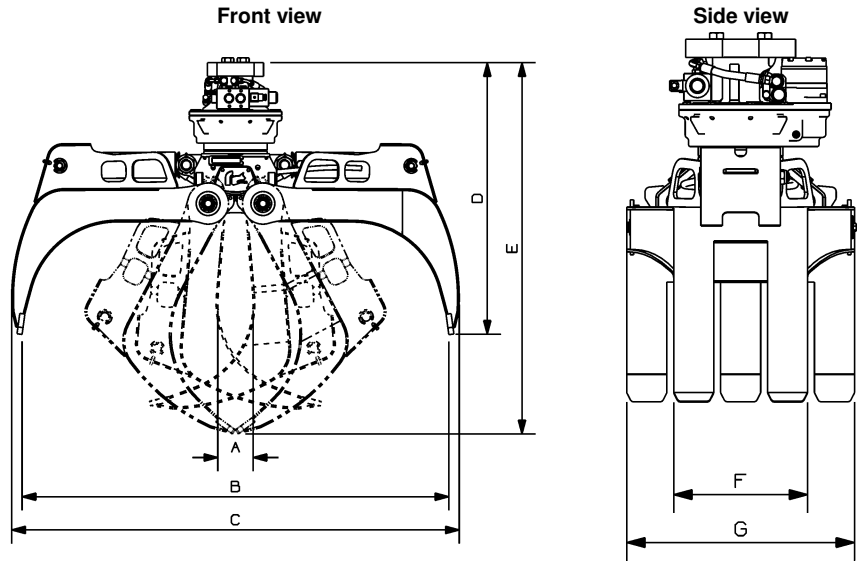
*High tensile strength steel: 165,000 psi (1138 MPa)

Rotator	Maximum pressure: 4200 psi (290 bars)	Recommended flow: 10 gpm (38 l/min.)
Rotator recommended flow will produce a speed of 21 rpm.		

Cylinder	Diameter	Recommended pressure	Pressure range	Flow range	Lock valves
Standard	3" (76 mm)	3700 psi (255 bars)	3200 - 4200 psi (221 - 290 bars)	9 - 13 gpm (34 - 49 l/min.)	no

Grapple cylinder maximum flow will theoretically produce a complete grapple open/close cycle in 4 seconds.

Reference	Dimension
A	5 1/8 in. (130 mm)
B	62 3/8 in. (1584 mm)
C	65 3/8 in. (1661 mm)
D	39 5/8 in. (1006 mm)
E	54 1/8 in. (1375 mm)
F	14 5/8 in. (371 mm)
G	24 7/8 in. (632 mm)



OPTIONS: Pin-on or quick attach lugging.
NOTE: Designed to be mounted positioned

web site: www.rotobec.com

e-mail: rotobec@rotobec.com

Rotobec Inc.: Head office serving OEM's and Eastern Canada
Rotobec West: Branch serving Western Canada and Western USA
Rotobec USA: Branch serving Eastern and Central USA

Ph: (418) 383-3002 Fax: (418) 383-5334
Ph: (250) 765-1161 Fax: (250) 765-0035
Ph: (603) 444-2103 Fax: (603) 444-0327