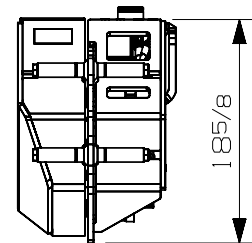
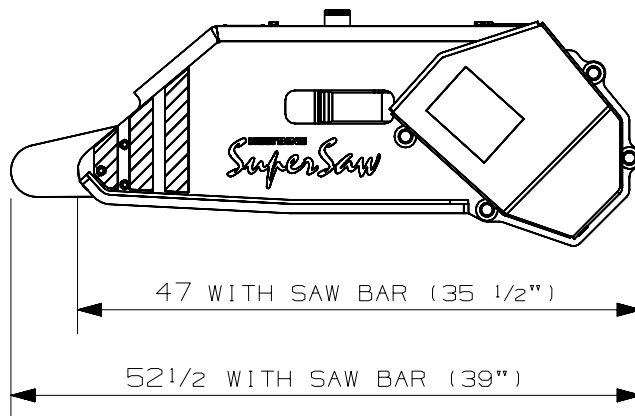
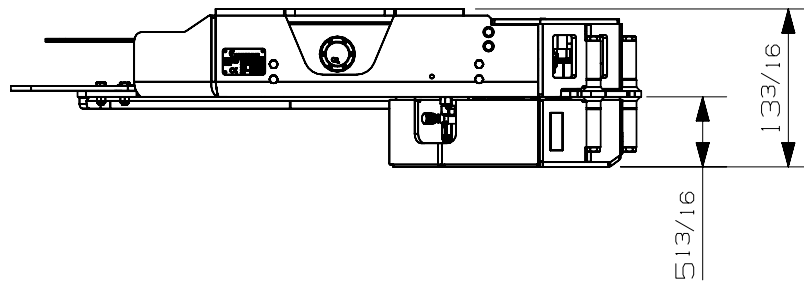
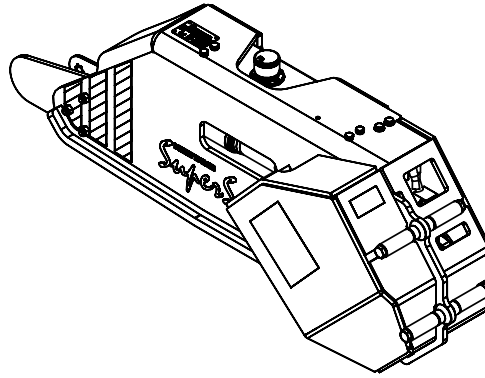


ROTOBEC
TOUGH HANDLING EQUIPMENT



Option : -Blade length
-Installation kit
-

Ensemble de Scie RGS-404-1 Saw Unit

Specification Technique Technical Data

Saw motor displacement :	19 cc
Weight :	369 lb

Hydraulic Pressures and Flows

Min. hydr. pressure, saw motor :	2500 psi
Rec. hydr. pressure, saw motor :	3500 psi
Max. hydr. pressure, saw motor :	4500 psi
Min. flow, saw motor :	32 gpm
Rec. flow, saw motor :	42 gpm
Max. flow, saw motor :	48 gpm

Saw bar return :	Hydraulic
Chain tension :	Hydraulic
Bar feed cylindre :	Built in
Carrier installation	Easy to do
Chain lubrication :	Proportional
Saw bar standard :	39" (100 cm)
Saw bar optional :	35 1/2" (90 cm)
Saw chain :	.404-18H

MAX. SAW CHAIN
SPEED AND POWER
INPUT TO SAW CHAIN:

SEE RECOMMENDATION
FROM EACH SAW CHAIN
MANUFACTURER