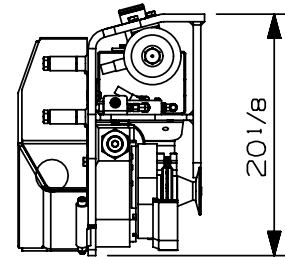
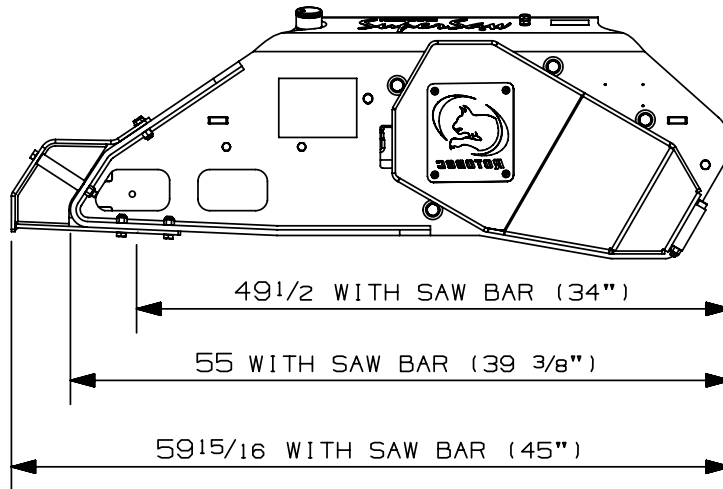
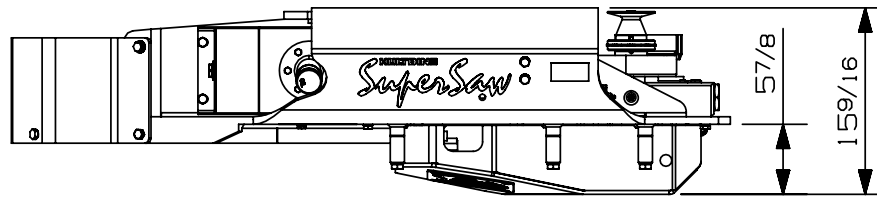
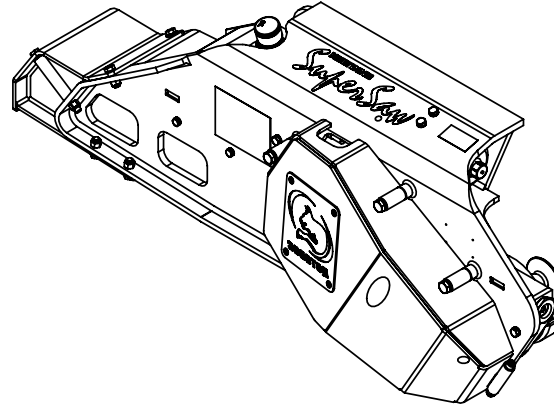


**ROTOBEC**  
TOUGH HANDLING EQUIPMENT



## Ensemble de Scie RGS-750-1 Saw Unit

### Specification Technique Technical Data

Saw motor displacement :	40 cc
Weight :	670 lb

### Hydraulic Pressures and Flows

Min. hydr. pressure, saw motor :	2900 psi
Rec. hydr. pressure, saw motor :	3150 psi
Max. hydr. pressure, saw motor :	3900 psi
Min. flow, saw motor :	53 gpm
Rec. flow, saw motor :	55 gpm
Max, flow, saw motor :	58 gpm

Saw bar return :	Hydraulic
Chain tention :	Hydraulic
Bar feed cylindre :	Built in
Carrier installation	Easy to do
Chain lubrication :	Proportional
Saw bar standard :	40" (100 cm)
Saw bar optional :	34" and 45"
Saw chain :	3/4"-11H

Option: -Blade Length  
-Installation Kit

MAX. SAW CHAIN  
SPEED AND POWER  
INPUT TO SAW CHAIN:

SEE RECOMMENDATION  
FROM EACH SAW CHAIN  
MANUFACTURER