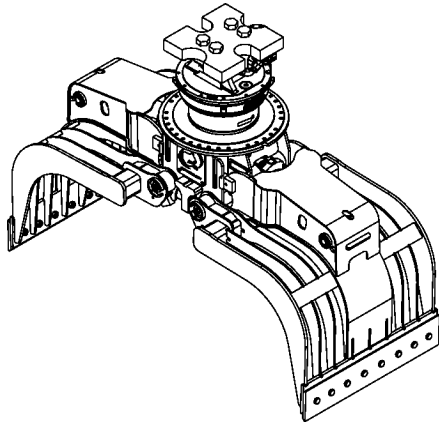




Power Attachment

RPA2030T with rotator RGP-1002



Opening	76 1/8 in. (1934 mm)
Closing	in. (0 mm)
Volume	.463 cubic yards .35 cubic meters
Area tip to tip	4.1 sq. ft. (.38 sq. meter)
Rotator lifting capacity	100000 lb (45360 kg)
Torque at relief pressure	21770 in.lb (2460 Nm) @ 913 psi (63 bars)
Steel* thickness	
Weight	2200 lb (998 kg)

*High tensile strength steel: 165,000 psi (1138 MPa)

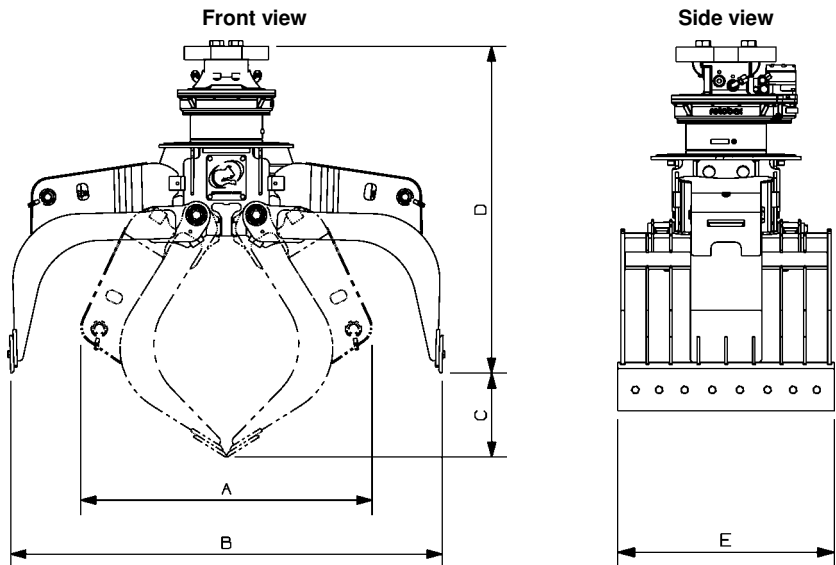
Rotator	Maximum pressure: 4200 psi (290 bars)	Recommended flow: 6 gpm (23 l/min.)
----------------	--	--

Rotator recommended flow will produce a speed of 10 rpm.

Cylinder	Diameter	Recommended pressure	Pressure range	Flow range	Lock valves
Standard	3" (76 mm)	4000 psi (276 bars)	3000 - 5000 psi (207 - 345 bars)	10 - 15 gpm (38 - 57 l/min.)	no

Grapple cylinder maximum flow will theoretically produce a complete grapple open/close cycle in 4 seconds.

Reference	Dimension
A	51 1/8 in. (1299 mm)
B	76 1/8 in. (1934 mm)
C	15 1/2 in. (394 mm)
D	57 1/4 in. (1454 mm)
E	31 in. (787 mm)
F	
G	



OPTIONS: Custom lugging on rotator.

web site: www.rotobec.com

e-mail: rotobec@rotobec.com

Rotobec Inc.: Head office serving OEM's and Eastern Canada
 Rotobec West: Branch serving Western Canada and Western USA
 Rotobec USA: Branch serving Eastern and Central USA

Ph: (418) 383-3002 Fax: (418) 383-5334
 Ph: (250) 765-1161 Fax: (250) 765-0035
 Ph: (603) 444-2103 Fax: (603) 444-0327