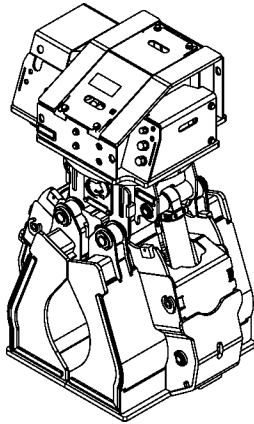




Power Attachment

RPA4570C with rotator RGP-1302



Opening	78 1/8 in. (1984 mm)
Closing	16 3/4 in. (425 mm)
Volume	0.6 cubic yards .46 cubic meters
Area tip to tip	N/A
Rotator lifting capacity	130000 lb (58968 kg)
Torque at relief pressure	176750 in. lb (19972 Nm) @ 2200 psi (152 bars)
Steel* thickness	
Weight	4945 lb (2243 kg)

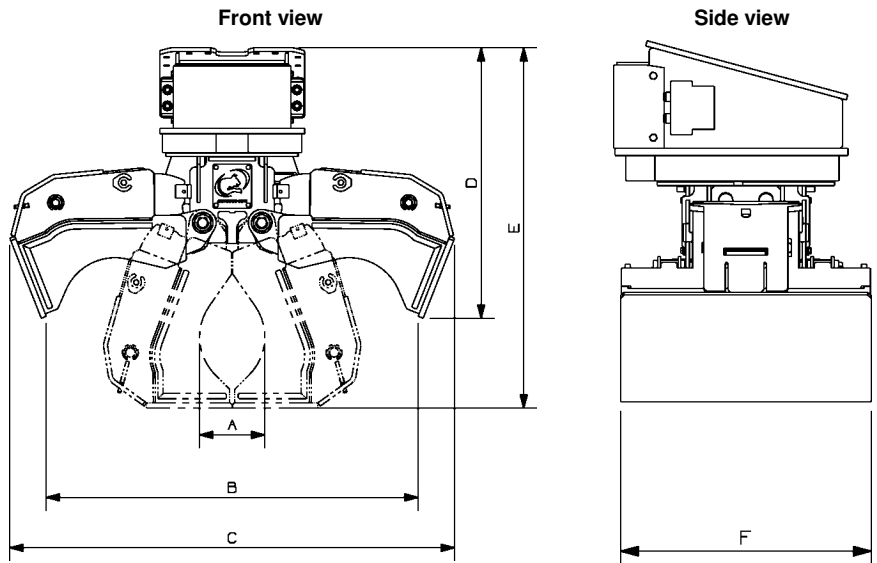
*High tensile strength steel: 165,000 psi (1138 MPa)

Rotator	Maximum pressure: 5000 psi (345 bars)	Recommended flow: 33 gpm (125 l/min.)
Rotator recommended flow will produce a speed of 15 rpm.		

Cylinder	Diameter	Recommended pressure	Pressure range	Flow range	Lock valves
Standard	4" (102 mm)	4000 psi (276 bars)	3000 - 5000 psi (207 - 345 bars)	25 - 37 gpm (95 - 140 l/min.)	no

Grapple cylinder maximum flow will theoretically produce a complete grapple open/close cycle in 4 seconds.

Reference	Dimension
A	16 3/4 in. (425 mm)
B	78 1/8 in. (1984 mm)
C	94 3/4 in. (2407 mm)
D	57 1/8 in. (1451 mm)
E	75 5/8 in. (1921 mm)
F	40 in. (1016 mm)
G	



OPTIONS: Custom lugging on rotator. Float on swing motor. Positioning cylinder kit, including bracket. 2 function valve-in-head kit. Installation kit.

web site: www.rotobec.com

e-mail: rotobec@rotobec.com

Rotobec Inc.: Head office serving OEM's and Eastern Canada
 Rotobec West: Branch serving Western Canada and Western USA
 Rotobec USA: Branch serving Eastern and Central USA

Ph: (418) 383-3002 Fax: (418) 383-5334
 Ph: (250) 765-1161 Fax: (250) 765-0035
 Ph: (603) 444-2103 Fax: (603) 444-0327