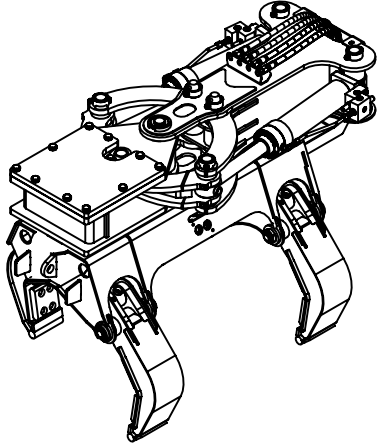


# Pipe & Pole Handler 1807ROD180

(WITHOUT SELECTOR VALVE VERSION)

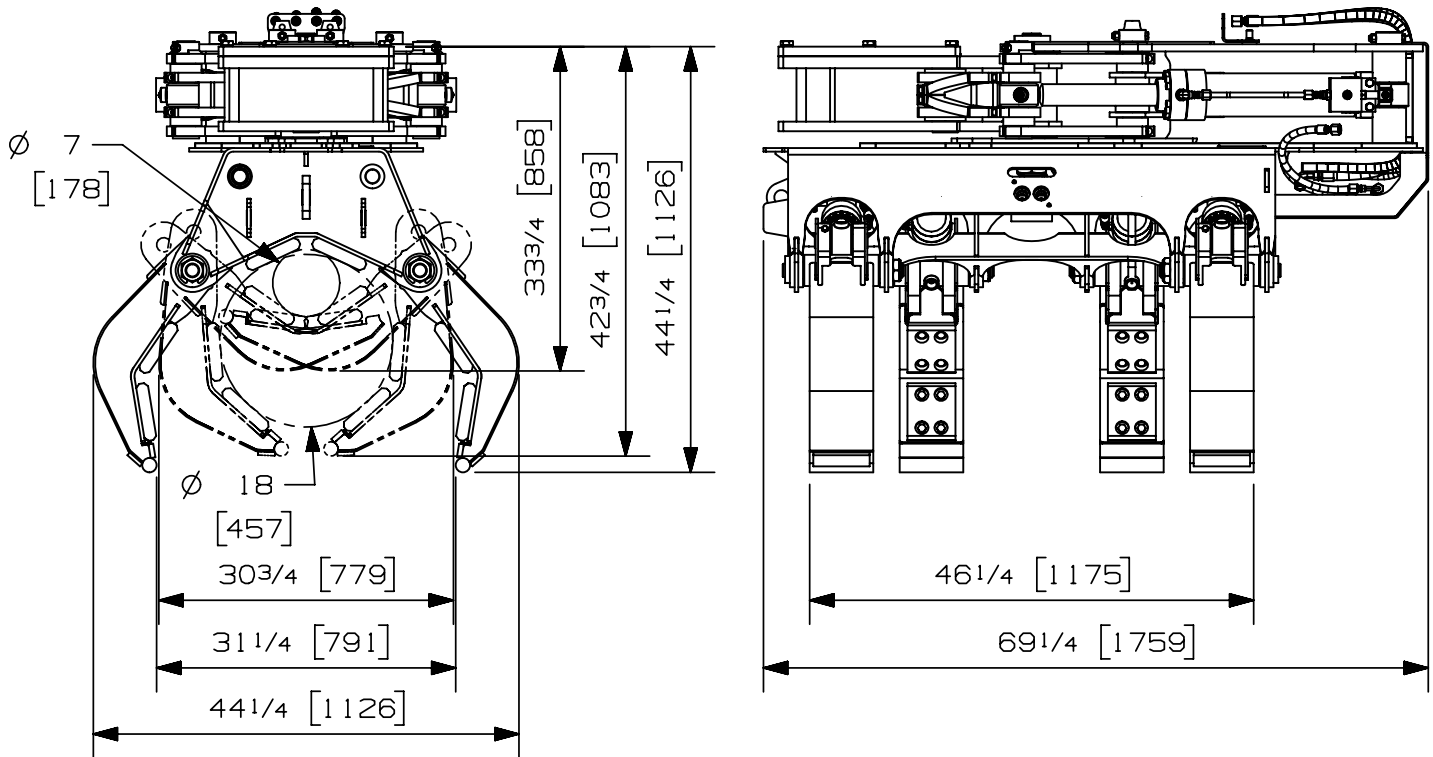


Max load:	n/a lb	n/a N
Volume:	n/a y <sup>3</sup>	n/a m <sup>3</sup>
Area tip to tip:	n/a ft <sup>2</sup>	n/a m <sup>2</sup>
Rotator lifting capacity:	n/a lb	n/a kg
Torque at relief pressure:	38790 ft-lb 5000 psi	52599 Nm 345 bars
Weight:	2440 lb	1107 kg

Rotator	Maximum pressure:	n/a psi	n/a bars	Recommended flow:	n/a gpm	n/a l/min
Rotator recommended flow will produce a speed of 0 rpm						

Cylinder	Diameter	Recommended pressure	Pressure range	Flow range	Lock valves
Standard	2 1/2 " (64 mm)	4250 psi (293 bars)	3500-5000 psi (241-345 bars)	7-9 gpm (26-34 l/min.)	yes
Tilt	3 1/2 " (89 mm)	4250 psi (293 bars)	3500-5000 psi (241-345 bars)	5-7 gpm (19-26 l/min.)	yes

Grapple cylinder maximum flow will theoretically produce a complete grapple open/close cycle in 6 seconds.



Options:

web site: [www.rotobec.com](http://www.rotobec.com)

email: [rotobec@rotobec.com](mailto:rotobec@rotobec.com)

**Rotobec Inc.:** Head office serving OEM's and Eastern Canada Ph: (418) 383-3002 Fax: (418) 383-5334  
**Rotobec West:** Branch serving Western Canada and Western USA Ph: (250) 765-1161 Fax: (250) 765-0035  
**Rotobec USA:** Branch serving Eastern and Central USA Ph: (603) 444-2103 Fax: (603) 444-0327

We reserve the right to change specifications and to improve our products without notice or obligation.

07006-8181  
10/07/18 D.L.