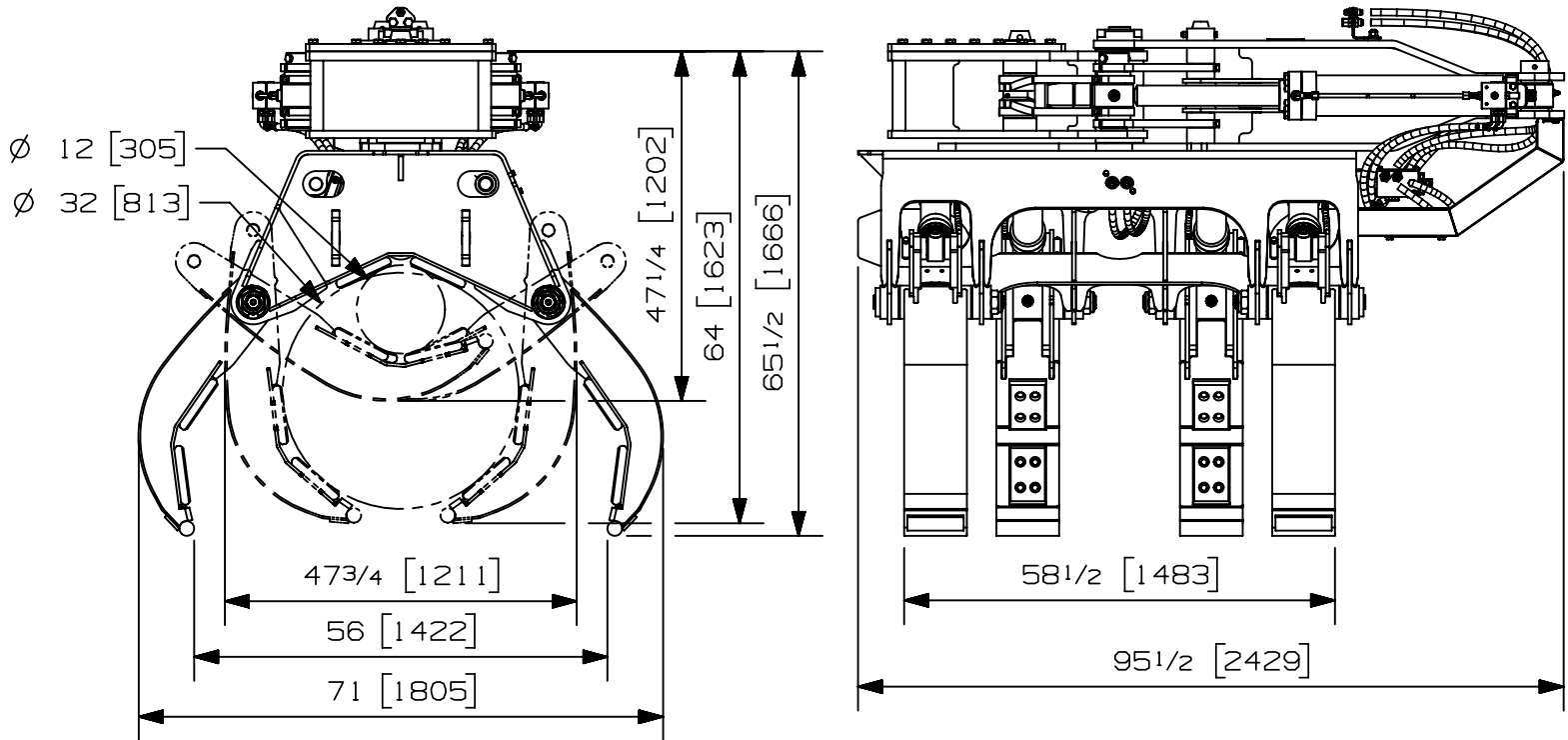


Max load:	16000 lb	7257 kg
Volume:	- y ³	- m ³
Area tip to tip:	- ft ²	- m ²
Rotator lifting capacity:	- lb	- kg
Torque at relief pressure:	107500 ft-lb 5000 psi	145750 Nm 345 bars
Weight:	5065 lb	2297 kg

Rotator	Maximum pressure:	- psi	- bars	Recommended flow:	- gpm	- l/min
Rotator recommended flow will produce a maximum speed of 0 rpm						

Cylinder	Diameter	Recommended pressure	Pressure range	Flow range	Lock valves
Grapple	3 " (76 mm)	4250 psi (293 bars)	3500 - 5000 psi (241-345 bars)	21 - 29 gpm (79-110 l/min.)	Yes
Tilt	4 1/2 " (114 mm)	4250 psi (293 bars)	3500 - 5000 psi (241-345 bars)	12 - 16 gpm (45-61 l/min.)	Yes

Grapple cylinder maximum flow will theoretically produce a complete grapple open/close cycle in 6 seconds.



Options:

- Custom lugging on rotator
-
-
-

web site: www.rotobec.com

email: rotobec@rotobec.com

Rotobec Inc.: Head office serving OEM's and Eastern Canada Ph: (418) 383-3002 Fax: (418) 383-5334
Rotobec West: Branch serving Western Canada and Western USA Ph: (250) 765-1161 Fax: (250) 765-0035
Rotobec USA: Branch serving Eastern and Central USA Ph: (603) 444-2103 Fax: (603) 444-0327

We reserve the right to change specifications and to improve our products without notice or obligation.

07010-2103
05/10/2020 D.L.