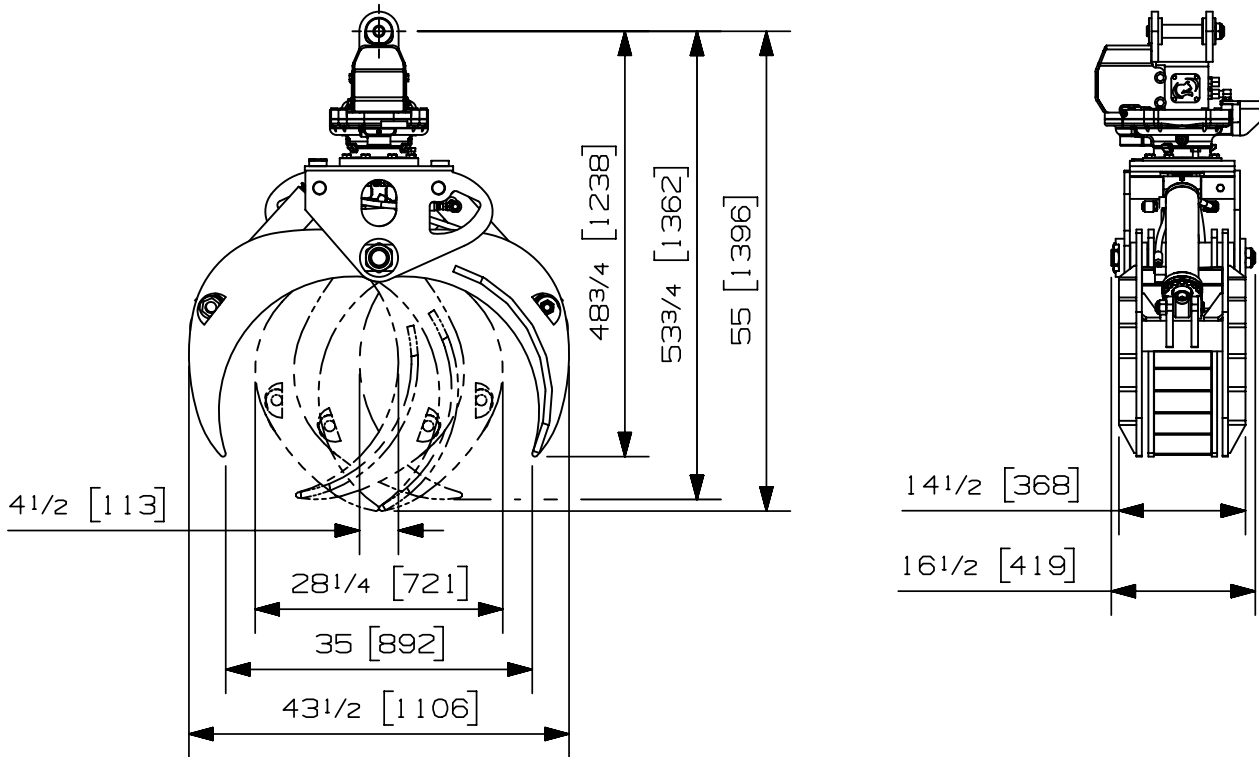


Max load:	- lb	- kg
Volume:	.11 cord of 8 ft	.40 m <sup>3</sup>
Area tip to tip:	1.75 ft <sup>2</sup>	.16 m <sup>2</sup>
Rotator lifting capacity:	22000 lb	9979 kg
Torque at relief pressure:	10700 lb-in	1209 Nm
	913 psi	63 bars
Weight:	715 lb	324 kg

Rotator	Maximum pressure: 5000 psi    345 bars	Recommended flow: 10 gpm    38 l/min
Rotator recommended flow will produce a maximum speed of 30 rpm		

Cylinder	Diameter	Recommended pressure	Pressure range	Flow range	Lock valves
Standard	3 1/2 " (89 mm)	2350 psi (162 bars)	2000 - 2700 psi (138-186 bars)	13 - 19 gpm (49-72 l/min.)	No
Optional	3 " (76 mm)	3250 psi (224 bars)	2800 - 3700 psi (193-255 bars)	9 - 13 gpm (34-49 l/min.)	No

Grapple cylinder maximum flow will theoretically produce a complete grapple open/close cycle in 5 seconds.



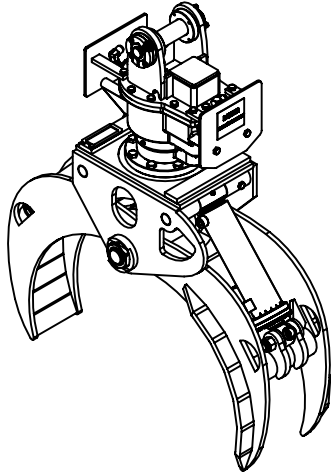
Options:

- Head protector. (27 lbs / 12 kg)
- Log protection package, including shaft on jaw tips and protection strips on jaw edges. (N/A)
- Shaft on jaw tips to prevent log damage. (N/A)
- Impact protection relief valve. (10 lbs / 5 kg)

web site: [www.rotobec.com](http://www.rotobec.com)

email: [rotobec@rotobec.com](mailto:rotobec@rotobec.com)

**Rotobec Inc.:** Head office serving OEM's and Eastern Canada    Ph: (418) 383-3002 Fax: (418) 383-5334  
**Rotobec West:** Branch serving Western Canada and Western USA    Ph: (250) 765-1161 Fax: (250) 765-0035  
**Rotobec USA:** Branch serving Eastern and Central USA    Ph: (603) 444-2103 Fax: (603) 444-0327

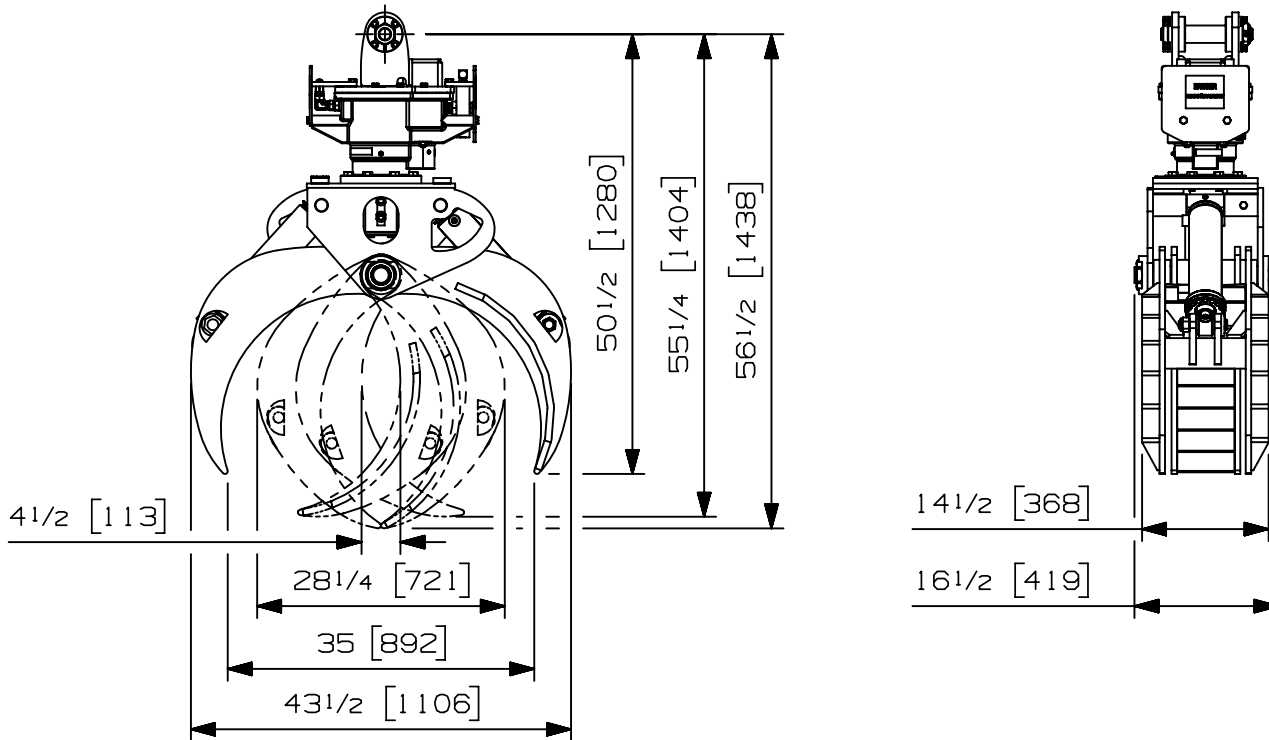


<b>Max load:</b>	- lb	- kg
<b>Volume:</b>	.11 cord of 8 ft	.40 m <sup>3</sup>
<b>Area tip to tip:</b>	1.75 ft <sup>2</sup>	.16 m <sup>2</sup>
<b>Rotator lifting capacity:</b>	18000 lb	8165 kg
<b>Torque at relief pressure:</b>	8450 lb-in	955 Nm
	913 psi	63 bars
<b>Weight:</b>	715 lb	324 kg

<b>Rotator</b>	<b>Maximum pressure:</b> 4000 psi    276 bars	<b>Recommended flow:</b> 8 gpm    30 l/min
Rotator recommended flow will produce a maximum speed of 30 rpm		

Cylinder	Diameter	Recommended pressure	Pressure range	Flow range	Lock valves
Standard	3 1/2 " (89 mm)	2350 psi (162 bars)	2000 - 2700 psi (138-186 bars)	13 - 19 gpm (49-72 l/min.)	No
Optional	3 " (76 mm)	3250 psi (224 bars)	2800 - 3700 psi (193-255 bars)	9 - 13 gpm (34-49 l/min.)	No

Grapple cylinder maximum flow will theoretically produce a complete grapple open/close cycle in 4 seconds.



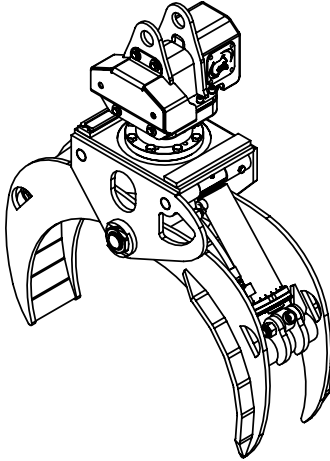
**Options:**

- Head protector (27 lbs / 12 kg)
- Log protection package, including shaft on jaw tips and protection strips on jaw edges (N/A)
- Shaft on jaw tips to prevent log damage (N/A)
- Impact protection relief valve (10 lbs / 5 kg)

web site: [www.rotobec.com](http://www.rotobec.com)

email: [rotobec@rotobec.com](mailto:rotobec@rotobec.com)

**Rotobec Inc.:** Head office serving OEM's and Eastern Canada    Ph: (418) 383-3002 Fax: (418) 383-5334  
**Rotobec West:** Branch serving Western Canada and Western USA    Ph: (250) 765-1161 Fax: (250) 765-0035  
**Rotobec USA:** Branch serving Eastern and Central USA    Ph: (603) 444-2103 Fax: (603) 444-0327

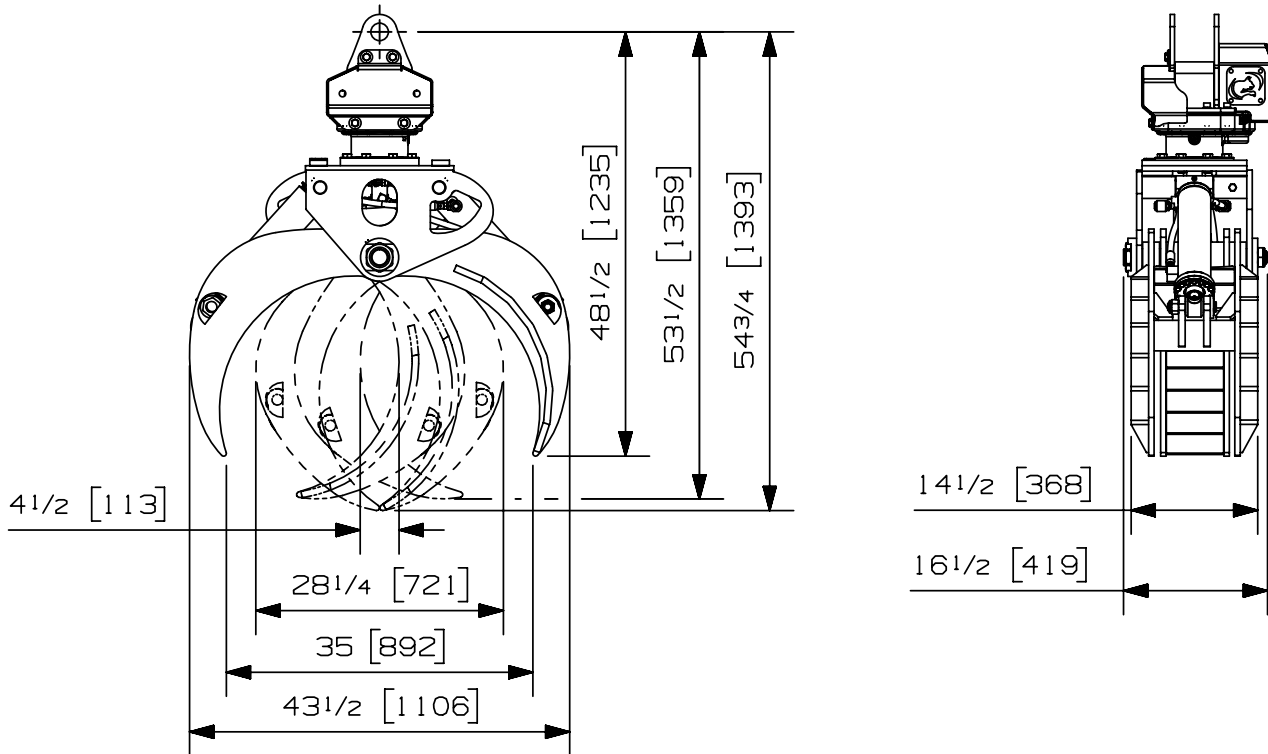


<b>Max load:</b>	- lb	- kg
<b>Volume:</b>	.11 cord of 8 ft	.40 m <sup>3</sup>
<b>Area tip to tip:</b>	1.75 ft <sup>2</sup>	.16 m <sup>2</sup>
<b>Rotator lifting capacity:</b>	14000 lb	6350 kg
<b>Torque at relief pressure:</b>	8450 lb-in	955 Nm
	913 psi	63 bars
<b>Weight:</b>	695 lb	315 kg

<b>Rotator</b>	<b>Maximum pressure:</b> 5000 psi    345 bars	<b>Recommended flow:</b> 8 gpm    30 l/min
Rotator recommended flow will produce a maximum speed of 30 rpm		

Cylinder	Diameter	Recommended pressure	Pressure range	Flow range	Lock valves
Standard	3 1/2 " (89 mm)	2350 psi (162 bars)	2000 - 2700 psi (138-186 bars)	13 - 19 gpm (49-72 l/min.)	No
Optional	3 " (76 mm)	3250 psi (224 bars)	2800 - 3700 psi (193-255 bars)	9 - 13 gpm (34-49 l/min.)	No

Grapple cylinder maximum flow will theoretically produce a complete grapple open/close cycle in 5 seconds.



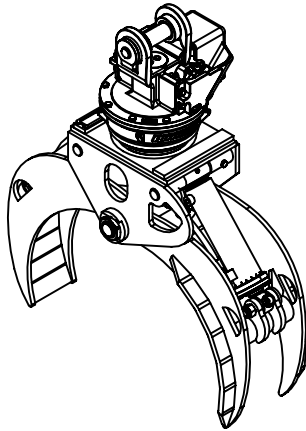
**Options:**

- Head protector. (27 lbs / 12 kg)
- Log protection package, including shaft on jaw tips and protection strips on jaw edges. (N/A)
- Shaft on jaw tips to prevent log damage. (N/A)
- Impact protection relief valve. (10 lbs / 5 kg)

web site: [www.rotobec.com](http://www.rotobec.com)

email: [rotobec@rotobec.com](mailto:rotobec@rotobec.com)

**Rotobec Inc.:** Head office serving OEM's and Eastern Canada    Ph: (418) 383-3002 Fax: (418) 383-5334  
**Rotobec West:** Branch serving Western Canada and Western USA    Ph: (250) 765-1161 Fax: (250) 765-0035  
**Rotobec USA:** Branch serving Eastern and Central USA    Ph: (603) 444-2103 Fax: (603) 444-0327

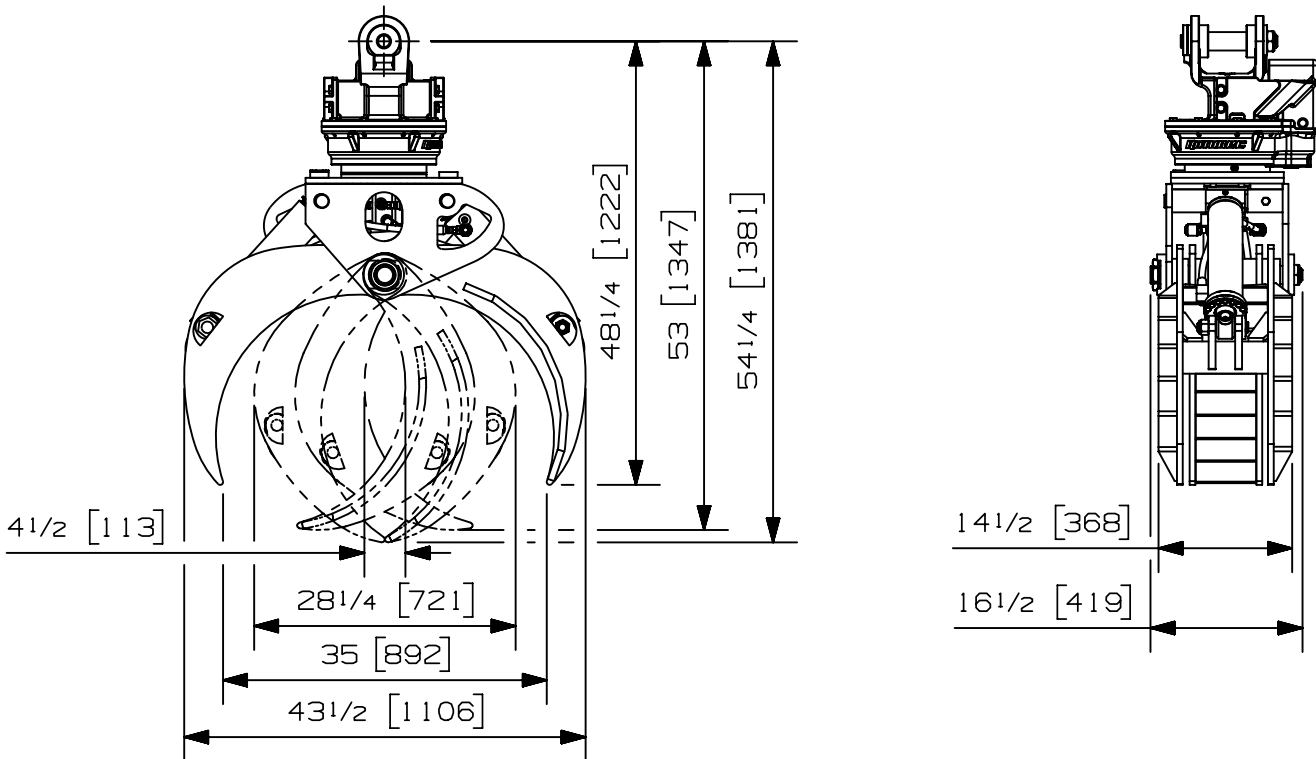


<b>Max load:</b>	- lb	- kg
<b>Volume:</b>	.11 cord of 8 ft	.40 m <sup>3</sup>
<b>Area tip to tip:</b>	1.75 ft <sup>2</sup>	.16 m <sup>2</sup>
<b>Rotator lifting capacity:</b>	25000 lb	11340 kg
<b>Torque at relief pressure:</b>	16680 lb-in	1885 Nm
	1450 psi	100 bars
<b>Weight:</b>	760 lb	345 kg

<b>Rotator</b>	<b>Maximum pressure:</b> 5000 psi    345 bars	<b>Recommended flow:</b> 9 gpm    34 l/min
Rotator recommended flow will produce a maximum speed of 30 rpm		

Cylinder	Diameter	Recommended pressure	Pressure range	Flow range	Lock valves
Standard	3 1/2 " (89 mm)	2350 psi (162 bars)	2000 - 2700 psi (138-186 bars)	13 - 19 gpm (49-72 l/min.)	No
Optional	3 " (76 mm)	3250 psi (224 bars)	2800 - 3700 psi (193-255 bars)	9 - 13 gpm (34-49 l/min.)	No

Grapple cylinder maximum flow will theoretically produce a complete grapple open/close cycle in 4 seconds.



**Options:**

- Head protector (27 lbs / 12 kg)
- Log protection package, including shaft on jaw tips and protection strips on jaw edges (N/A)
- Shaft on jaw tips to prevent log damage (N/A)
- Impact protection relief valve (10 lbs / 5 kg)

web site: [www.rotobec.com](http://www.rotobec.com)

email: [rotobec@rotobec.com](mailto:rotobec@rotobec.com)

**Rotobec Inc.:** Head office serving OEM's and Eastern Canada    Ph: (418) 383-3002 Fax: (418) 383-5334  
**Rotobec West:** Branch serving Western Canada and Western USA    Ph: (250) 765-1161 Fax: (250) 765-0035  
**Rotobec USA:** Branch serving Eastern and Central USA    Ph: (603) 444-2103 Fax: (603) 444-0327