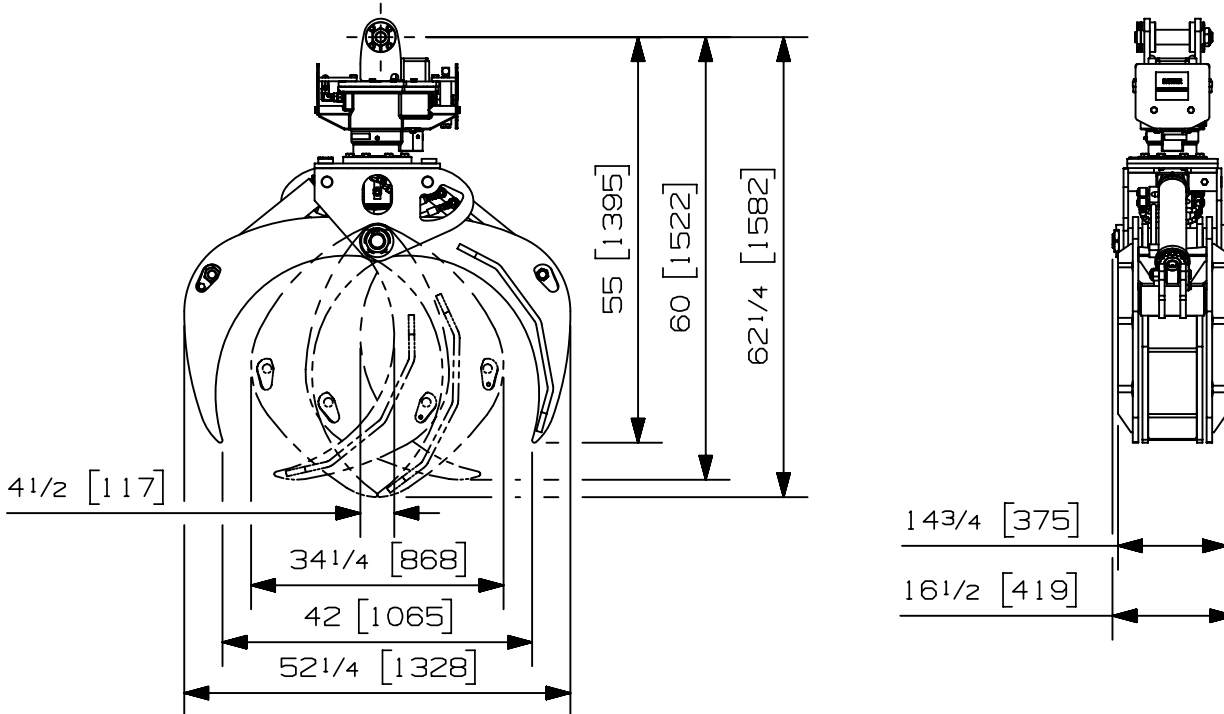


Max load:	- lb	- kg
Volume:	.17 cord of 8 ft	.61 m ³
Area tip to tip:	2.70 ft ²	.25 m ²
Rotator lifting capacity:	18000 lb	8165 kg
Torque at relief pressure:	8450 lb-in	955 Nm
	913 psi	63 bars
Weight:	820 lb	372 kg

Rotator	Maximum pressure: 4000 psi 276 bars	Recommended flow: 8 gpm 30 l/min
Rotator recommended flow will produce a maximum speed of 30 rpm		

Cylinder	Diameter	Recommended pressure	Pressure range	Flow range	Lock valves
Standard	3 1/2 " (89 mm)	2500 psi (172 bars)	2000 - 3000 psi (138-207 bars)	15 - 22 gpm (57-83 l/min.)	No
Optional	3 " (76 mm)	3800 psi (262 bars)	3100 - 4500 psi (214-310 bars)	10 - 15 gpm (38-57 l/min.)	No
Optional	4 " (102 mm)	2250 psi (155 bars)	2000 - 2500 psi (138-172 bars)	20 - 30 gpm (76-114 l/min.)	No

Grapple cylinder maximum flow will theoretically produce a complete grapple open/close cycle in 4 seconds.



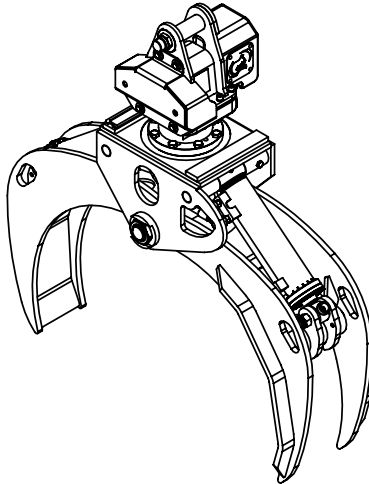
Options:

- Head protector (27 lbs / 12 kg)
- Log protection package, including shaft on jaw tips and protection strips on jaw edges (N/A)
- Shaft on jaw tips to prevent log damage (N/A)
- Impact protection relief valve (10 lbs / 5 kg)

web site: www.rotobec.com

email: rotobec@rotobec.com

Rotobec Inc.: Head office serving OEM's and Eastern Canada Ph: (418) 383-3002 Fax: (418) 383-5334
Rotobec West: Branch serving Western Canada and Western USA Ph: (250) 765-1161 Fax: (250) 765-0035
Rotobec USA: Branch serving Eastern and Central USA Ph: (603) 444-2103 Fax: (603) 444-0327

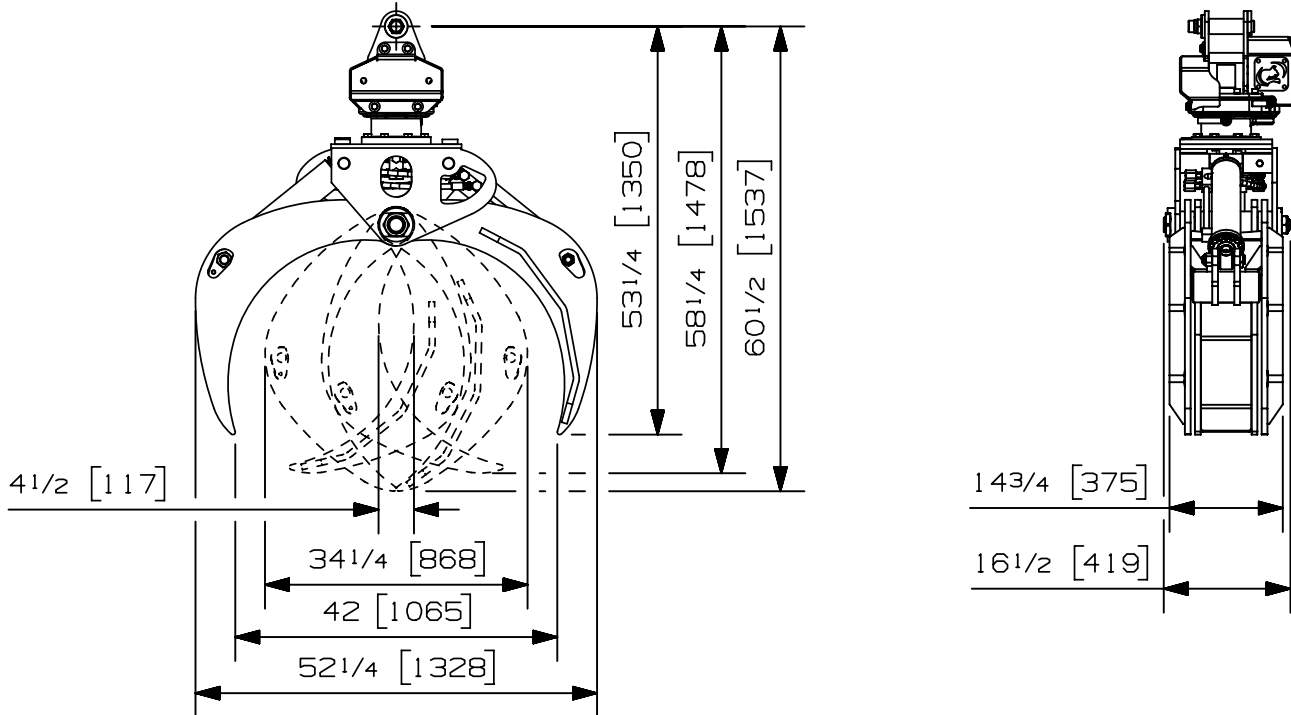


Max load:	- lb	- kg
Volume:	.17 cord of 8 ft	.61 m ³
Area tip to tip:	2.70 ft ²	.25 m ²
Rotator lifting capacity:	14000 lb	6350 kg
Torque at relief pressure:	8450 lb-in	955 Nm
	913 psi	63 bars
Weight:	805 lb	365 kg

Rotator	Maximum pressure: 5000 psi 345 bars	Recommended flow: 8 gpm 30 l/min
Rotator recommended flow will produce a maximum speed of 30 rpm		

Cylinder	Diameter	Recommended pressure	Pressure range	Flow range	Lock valves
Standard	3 1/2 " (89 mm)	2500 psi (172 bars)	2000 - 3000 psi (138-207 bars)	15 - 22 gpm (57-83 l/min.)	No
Optional	3 " (76 mm)	3800 psi (262 bars)	3100 - 4500 psi (214-310 bars)	10 - 15 gpm (38-57 l/min.)	No
Optional	4 " (102 mm)	2250 psi (155 bars)	2000 - 2500 psi (138-172 bars)	20 - 30 gpm (76-114 l/min.)	No

Grapple cylinder maximum flow will theoretically produce a complete grapple open/close cycle in 4 seconds.



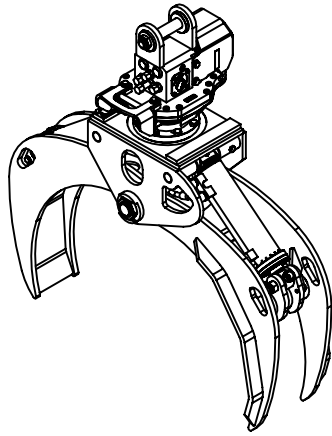
Options:

- Head protector (27 lbs / 12 kg)
- Log protection package, including shaft on jaw tips and protection strips on jaw edges (N/A)
- Shaft on jaw tips to prevent log damage (N/A)
- Impact protection relief valve (10 lbs / 5 kg)

web site: www.rotobec.com

email: rotobec@rotobec.com

Rotobec Inc.: Head office serving OEM's and Eastern Canada Ph: (418) 383-3002 Fax: (418) 383-5334
Rotobec West: Branch serving Western Canada and Western USA Ph: (250) 765-1161 Fax: (250) 765-0035
Rotobec USA: Branch serving Eastern and Central USA Ph: (603) 444-2103 Fax: (603) 444-0327

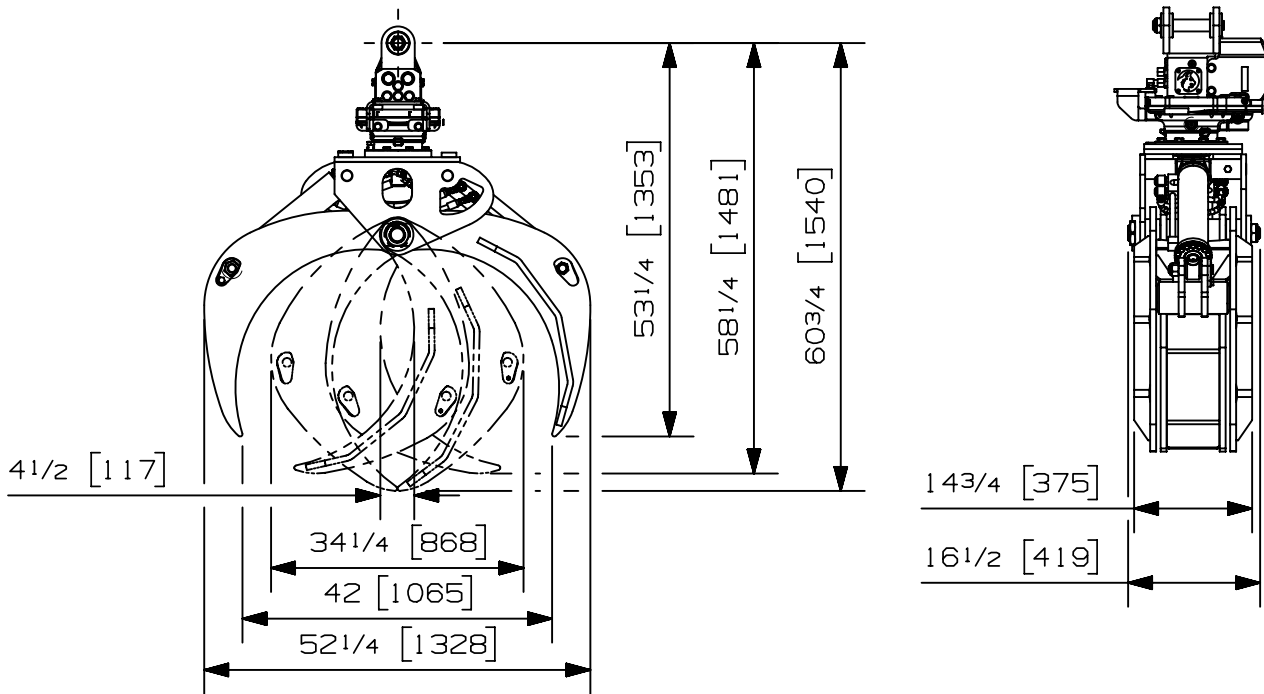


Max load:	- lb	- kg
Volume:	.17 cord of 8 ft	.61 m ³
Area tip to tip:	2.70 ft ²	.25 m ²
Rotator lifting capacity:	22000 lb	9979 kg
Torque at relief pressure:	10700 lb-in	1209 Nm
	913 psi	63 bars
Weight:	820 lb	372 kg

Rotator	Maximum pressure: 5000 psi 345 bars	Recommended flow: 10 gpm 38 l/min
Rotator recommended flow will produce a maximum speed of 30 rpm		

Cylinder	Diameter	Recommended pressure	Pressure range	Flow range	Lock valves
Standard	3 1/2 " (89 mm)	2500 psi (172 bars)	2000 - 3000 psi (138-207 bars)	15 - 22 gpm (57-83 l/min.)	No
Optional	3 " (76 mm)	3800 psi (262 bars)	3100 - 4500 psi (214-310 bars)	10 - 15 gpm (38-57 l/min.)	No
Optional	4 " (102 mm)	2250 psi (155 bars)	2000 - 2500 psi (138-172 bars)	20 - 30 gpm (76-114 l/min.)	No

Grapple cylinder maximum flow will theoretically produce a complete grapple open/close cycle in 4 seconds.



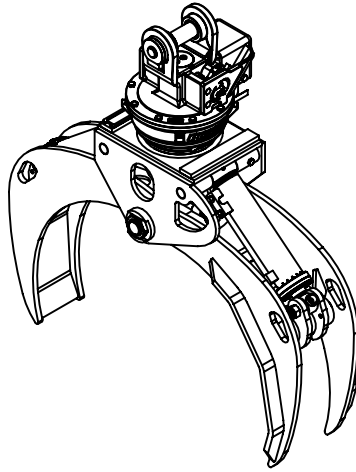
Options:

- Head protector (27 lbs / 12 kg)
- Log protection package, including shaft on jaw tips and protection strips on jaw edges (N/A)
- Shaft on jaw tips to prevent log damage (N/A)
- Impact protection relief valve (10 lbs / 5 kg)

web site: www.rotobec.com

email: rotobec@rotobec.com

Rotobec Inc.: Head office serving OEM's and Eastern Canada Ph: (418) 383-3002 Fax: (418) 383-5334
Rotobec West: Branch serving Western Canada and Western USA Ph: (250) 765-1161 Fax: (250) 765-0035
Rotobec USA: Branch serving Eastern and Central USA Ph: (603) 444-2103 Fax: (603) 444-0327

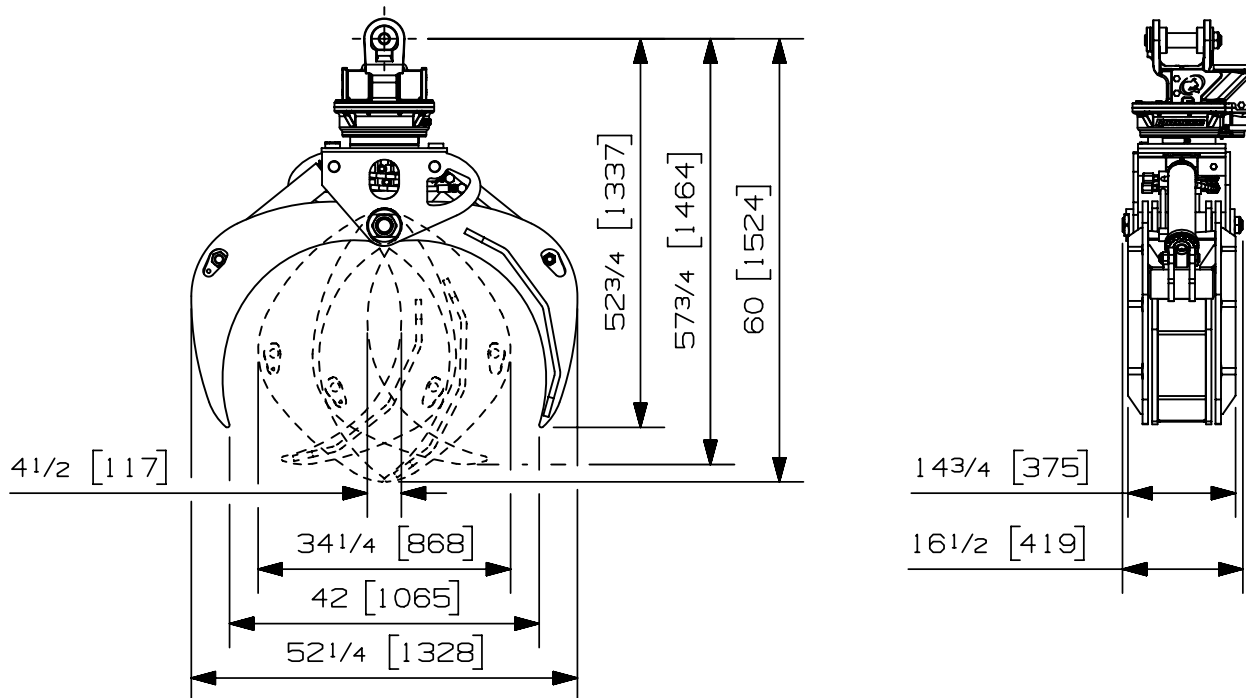


Max load:	- lb	- kg
Volume:	.17 cord of 8 ft	.61 m ³
Area tip to tip:	2.70 ft ²	.25 m ²
Rotator lifting capacity:	25000 lb	11340 kg
Torque at relief pressure:	16150 lb-in	1825 Nm
	1450 psi	100 bars
Weight:	870 lb	395 kg

Rotator	Maximum pressure: 5000 psi 345 bars	Recommended flow: 9 gpm 34 l/min
Rotator recommended flow will produce a maximum speed of 30 rpm		

Cylinder	Diameter	Recommended pressure	Pressure range	Flow range	Lock valves
Standard	3 1/2 " (89 mm)	2500 psi (172 bars)	2000 - 3000 psi (138-207 bars)	15 - 23 gpm (57-87 l/min.)	No
Optional	3 " (76 mm)	3800 psi (262 bars)	3100 - 4500 psi (214-310 bars)	10 - 15 gpm (38-57 l/min.)	No
Optional	4 " (102 mm)	2250 psi (155 bars)	2000 - 2500 psi (138-172 bars)	20 - 30 gpm (76-114 l/min.)	No

Grapple cylinder maximum flow will theoretically produce a complete grapple open/close cycle in 4 seconds.



Options:

- Head protector (27 lbs / 12 kg)
- Log protection package, including shaft on jaw tips and protection strips on jaw edges (N/A)
- Shaft on jaw tips to prevent log damage (N/A)
- Impact protection relief valve (10 lbs / 5 kg)

web site: www.rotobec.com

email: rotobec@rotobec.com

Rotobec Inc.: Head office serving OEM's and Eastern Canada Ph: (418) 383-3002 Fax: (418) 383-5334
Rotobec West: Branch serving Western Canada and Western USA Ph: (250) 765-1161 Fax: (250) 765-0035
Rotobec USA: Branch serving Eastern and Central USA Ph: (603) 444-2103 Fax: (603) 444-0327