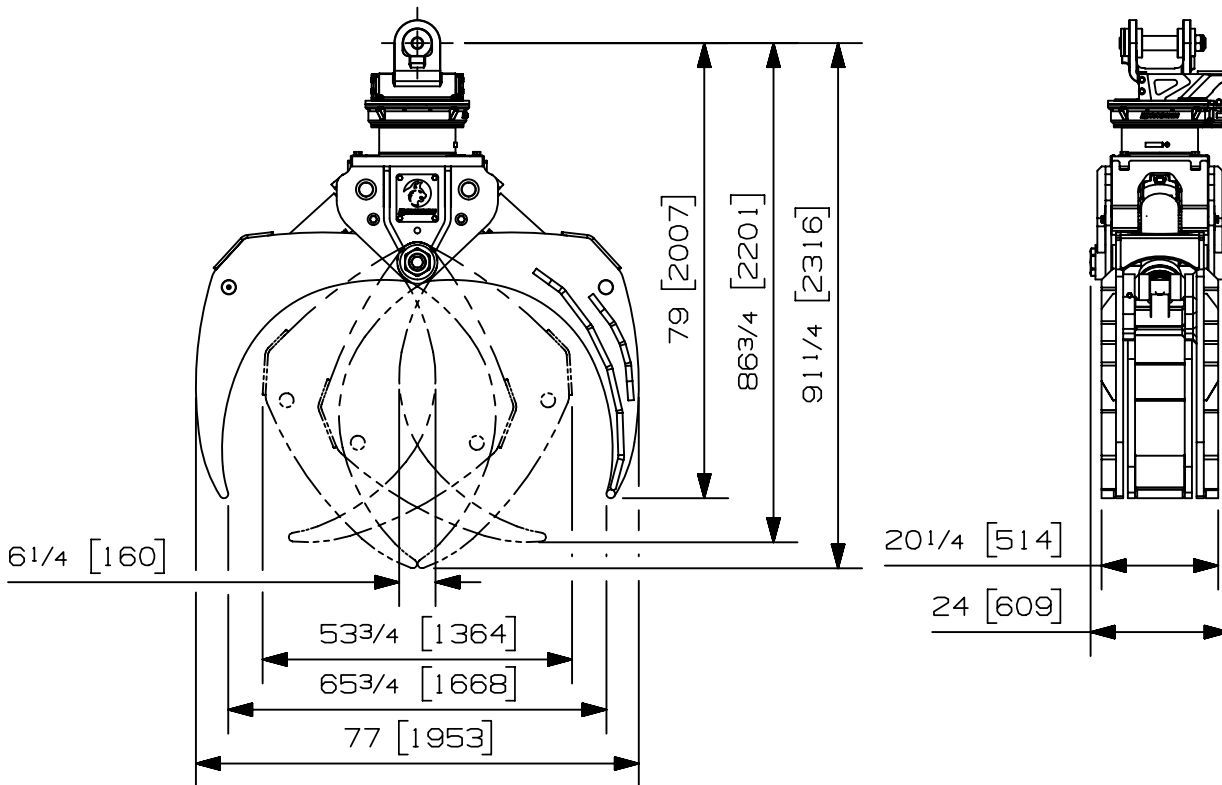


Max load:	n/a lb	n/a kg
Volume:	.38 cord of 8ft.	1.38 m ³
Area tip to tip:	6.16 ft ²	.57 m ²
Rotator lifting capacity:	100000 lb	45359 kg
Torque at relief pressure:	22360 lb-in	2526 Nm
	1450 psi	100 bars
Weight:	2965 lb	1345 kg

Rotator	Maximum pressure: 5000 psi 345 bars	Recommended flow: 8 gpm 30 l/min
Rotator recommended flow will produce a speed of 20 rpm		

Cylinder	Diameter	Recommended pressure	Pressure range	Flow range	Lock valves
Standard	4 1/2 " (114 mm)	3750 psi (259 bars)	2500-5000 psi (172-345 bars)	29-41 gpm (110-155 l/min.)	yes

Grapple cylinder maximum flow will theoretically produce a complete grapple open/close cycle in 5 seconds.



Options:

- Protection strips on jaw edges. (80 lb / 36 kg)
- Impact protection relief valve. (10 lbs / 5 kg)

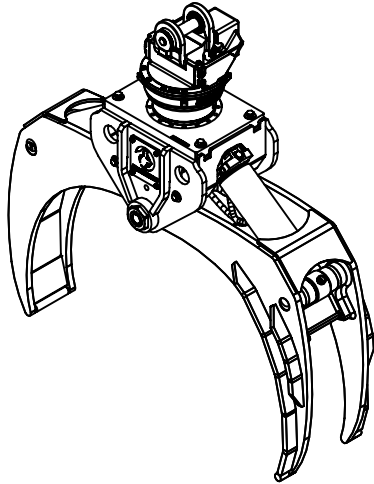
web site: www.rotobec.com

email: rotobec@rotobec.com

Rotobec Inc.: Head office serving OEM's and Eastern Canada Ph: (418) 383-3002 Fax: (418) 383-5334
Rotobec West: Branch serving Western Canada and Western USA Ph: (250) 765-1161 Fax: (250) 765-0035
Rotobec USA: Branch serving Eastern and Central USA Ph: (603) 444-2103 Fax: (603) 444-0327

We reserve the right to change specifications and to improve our products without notice or obligation.

07006-2793
27/01/22 D.L.

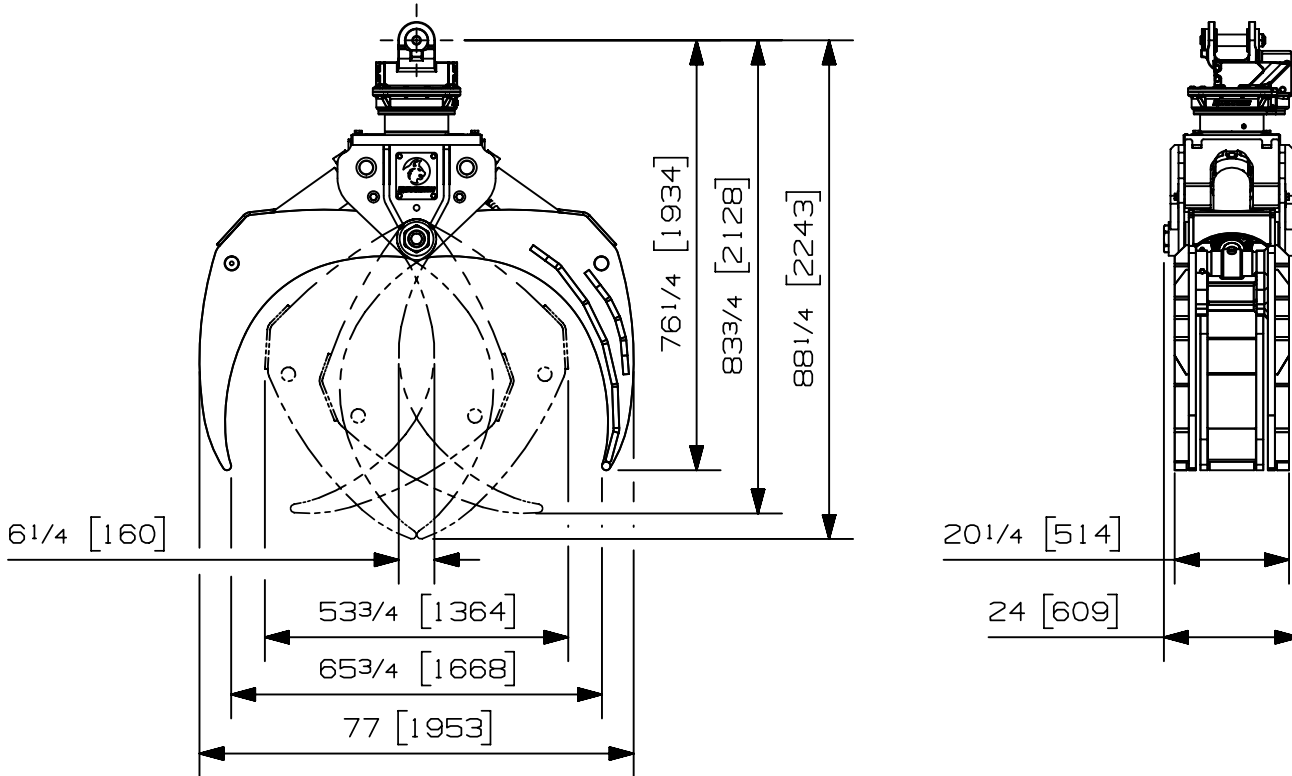


Max load:	n/a lb	n/a kg
Volume:	.38 cord of 8ft.	1.38 m ³
Area tip to tip:	6.16 ft ²	.57 m ²
Rotator lifting capacity:	50000 lb	22680 kg
Torque at relief pressure:	18630 lb-in	2105 Nm
	1450 psi	100 bars
Weight:	2725 lb	1236 kg

Rotator	Maximum pressure: 5000 psi 345 bars	Recommended flow: 9 gpm 34 l/min
Rotator recommended flow will produce a speed of 25 rpm		

Cylinder	Diameter	Recommended pressure	Pressure range	Flow range	Lock valves
Standard	4 1/2 " (114 mm)	3750 psi (259 bars)	2500-5000 psi (172-345 bars)	29-41 gpm (110-155 l/min.)	yes

Grapple cylinder maximum flow will theoretically produce a complete grapple open/close cycle in 5 seconds.



- Options:
- Protection strips on jaw edges. (80 lb / 36 kg)
 - Impact protection relief valve. (10 lbs / 5 kg)

web site: www.rotobec.com

email: rotobec@rotobec.com

Rotobec Inc.: Head office serving OEM's and Eastern Canada Ph: (418) 383-3002 Fax: (418) 383-5334
Rotobec West: Branch serving Western Canada and Western USA Ph: (250) 765-1161 Fax: (250) 765-0035
Rotobec USA: Branch serving Eastern and Central USA Ph: (603) 444-2103 Fax: (603) 444-0327

We reserve the right to change specifications and to improve our products without notice or obligation.

07006-2672
27/01/22 D.L.