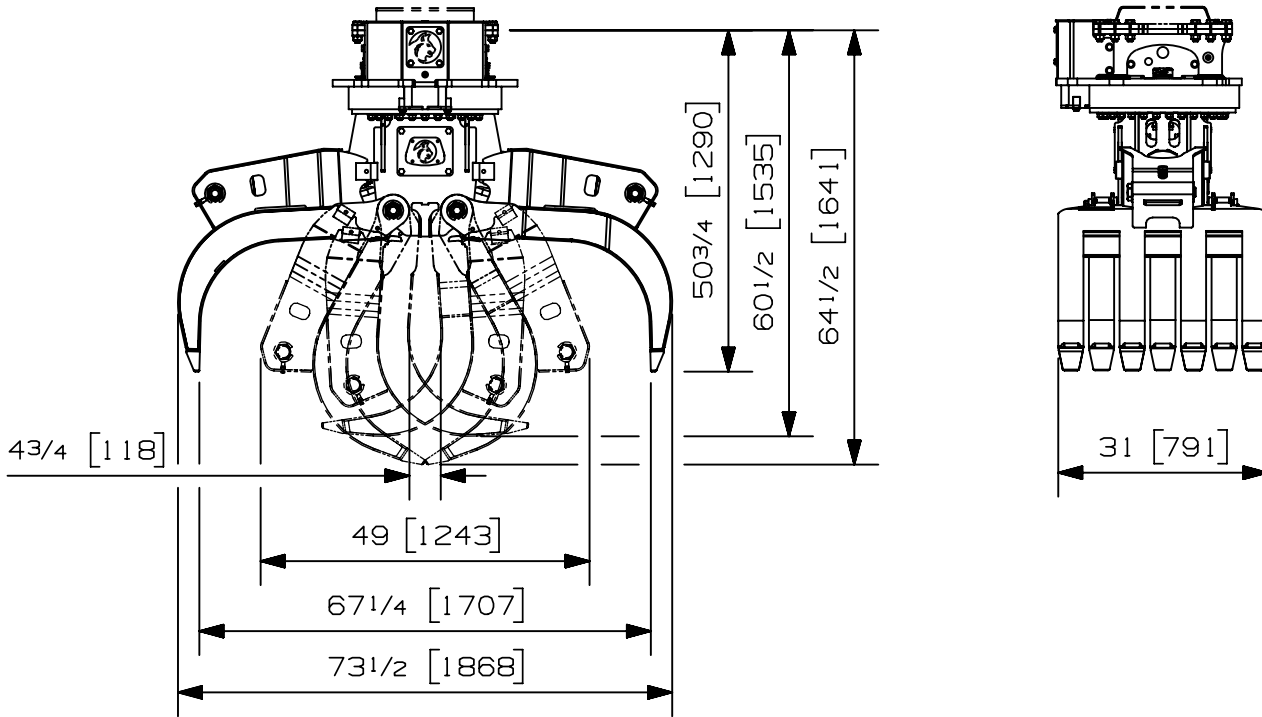


<b>Max load:</b>	- lb	- kg
<b>Volume:</b>	.22 cord of 8 ft	.82 m <sup>3</sup>
<b>Area tip to tip:</b>	3.60 ft <sup>2</sup>	.33 m <sup>2</sup>
<b>Rotator lifting capacity:</b>	60000 lb	27216 kg
<b>Torque at relief pressure:</b>	29694 lb-in	3355 Nm
	1450 psi	100 bars
<b>Weight:</b>	1805 lb	819 kg

<b>Rotator</b>	<b>Maximum pressure:</b> 5000 psi    345 bars	<b>Recommended flow:</b> 8 gpm    32 l/min
Rotator recommended flow will produce a maximum speed of 15 rpm		

Cylinder	Diameter	Recommended pressure	Pressure range	Flow range	Lock valves
Standard	3 " (76 mm)	4300 psi (296 bars)	3600 - 5000 psi (248-345 bars)	10 - 15 gpm (38-57 l/min.)	No
Optional	3 1/2 " (89 mm)	3750 psi (259 bars)	2500 - 5000 psi (172-345 bars)	14 - 21 gpm (53-79 l/min.)	No

Grapple cylinder maximum flow will theoretically produce a complete grapple open/close cycle in 4 seconds.



**Options:**

- Load Holding valve option (9 lbs / 4 kg)
- Mini heel set (22 lbs / 10 kg)
- Saw bundle 404 (saw included) (510 lbs / 236 kg)
- See also RGP-600 for more options

web site: [www.rotobec.com](http://www.rotobec.com)

email: [rotobec@rotobec.com](mailto:rotobec@rotobec.com)

**Rotobec Inc.:** Head office serving OEM's and Eastern Canada    Ph: (418) 383-3002 Fax: (418) 383-5334  
**Rotobec West:** Branch serving Western Canada and Western USA    Ph: (250) 765-1161 Fax: (250) 765-0035  
**Rotobec USA:** Branch serving Eastern and Central USA    Ph: (603) 444-2103 Fax: (603) 444-0327