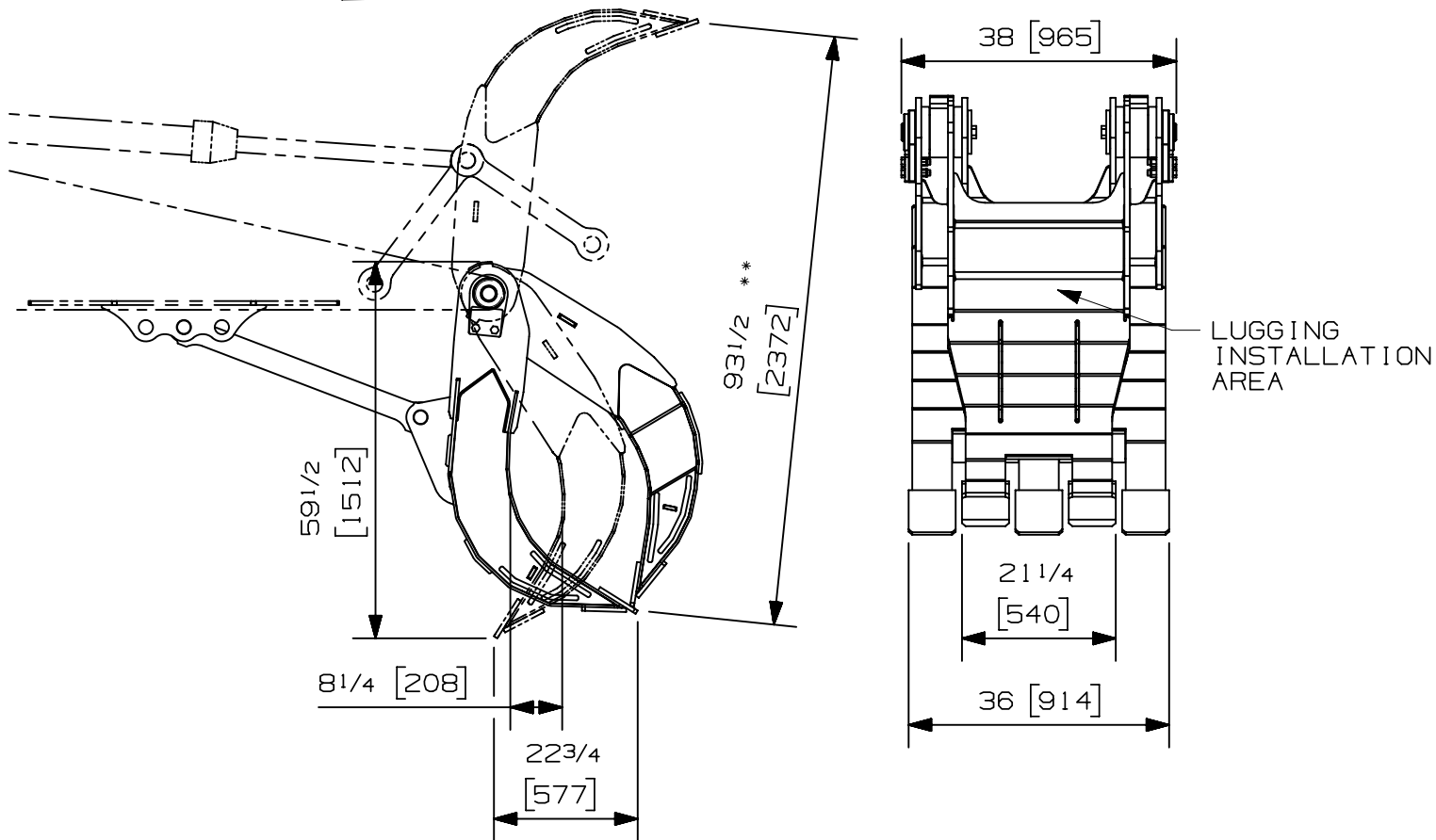


Excavator class:	25000-35000 lb	11-16 Tonnes
Capacity	1.00 y ³	0.76 m ³
Weight (w/o lugging):	2060 lb	934 kg
Installation type:	GENERIC	



** JAW OPENING WILL VARY UP TO 10% OF SPECIFIC OPENING, DEPENDING UPON THE MODEL EXCAVATOR IT IS MOUNTED TO.

Options:

- Tool cylinder kit.

web site: www.rotobec.com

email: rotobec@rotobec.com

Rotobec Inc.: Head office serving OEM's and Eastern Canada Ph: (418) 383-3002 Fax: (418) 383-5334
Rotobec West: Branch serving Western Canada and Western USA Ph: (250) 765-1161 Fax: (250) 765-0035
Rotobec USA: Branch serving Eastern and Central USA Ph: (603) 444-2103 Fax: (603) 444-0327

We reserve the right to change specifications and to improve our products without notice or obligation.

07007-2066
01/09/17 D.B.