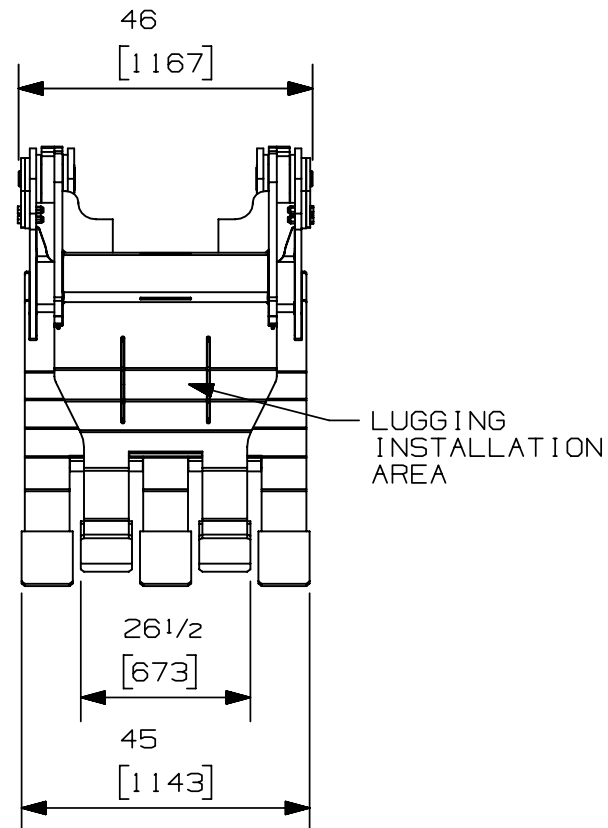
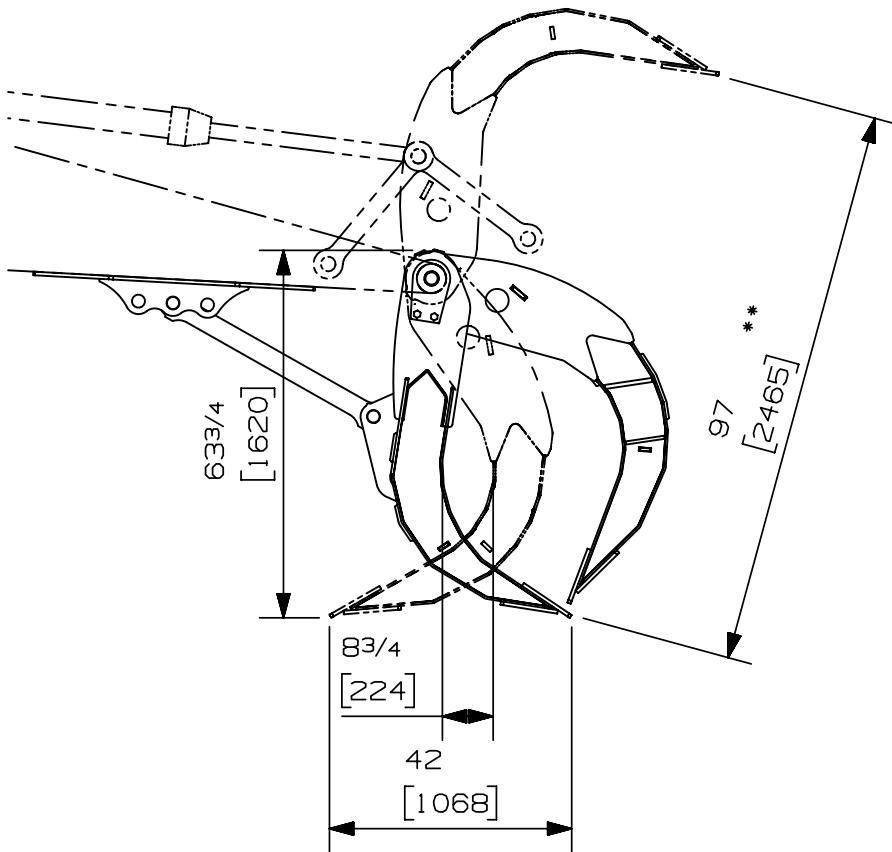


Excavator class:	35000-50000 lb	16-22 Tonnes
Capacity	2.0 y ³	1.53 m ³
Weight (w/o lugging):	2800 lb	1270 kg
Installation type:	GENERIC	



** JAW OPENING WILL VARY UP TO 10% OF SPECIFIC OPENING, DEPENDING UPON THE MODEL EXCAVATOR IT IS MOUNTED TO.

Options:

-TOOL CYLINDER KIT

-
-
-

web site: www.rotobec.com

email: rotobec@rotobec.com

Rotobec Inc.: Head office serving OEM's and Eastern Canada
Rotobec West: Branch serving Western Canada and Western USA
Rotobec USA: Branch serving Eastern and Central USA

Ph: (418) 383-3002 Fax: (418) 383-5334
 Ph: (250) 765-1161 Fax: (250) 765-0035
 Ph: (603) 444-2103 Fax: (603) 444-0327