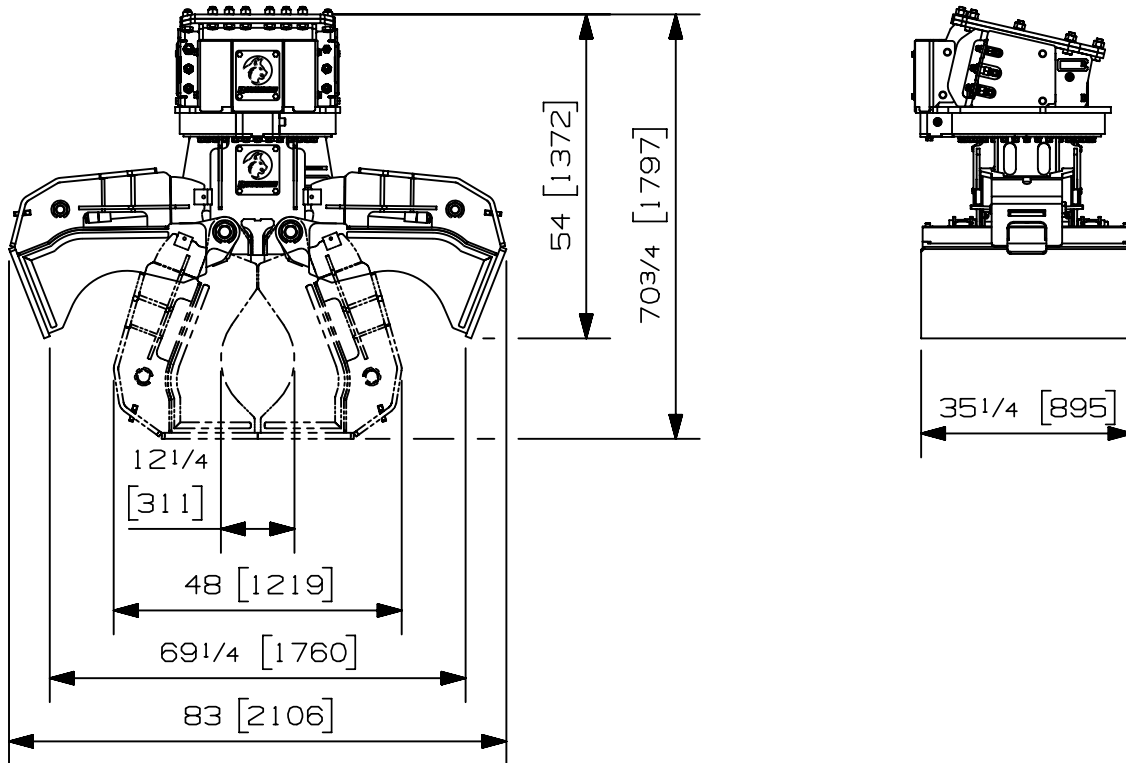


Max load:	- lb	- kg
Volume:	.40 y <sup>3</sup>	.31 m <sup>3</sup>
Area tip to tip:	- ft <sup>2</sup>	- m <sup>2</sup>
Rotator lifting capacity:	90000 lb	40823 kg
Torque at relief pressure:	51150 lb-in	5779 Nm
	1800 psi	124 bars
Weight:	3260 lb	1479 kg

Rotator	Maximum pressure: 5000 psi	345 bars	Recommended flow: 12 gpm	45 l/min
Rotator recommended flow will produce a maximum speed of 15 rpm				

Cylinder	Diameter	Recommended pressure	Pressure range	Flow range	Lock valves
Standard	3 1/2 " (89 mm)	4000 psi (276 bars)	3000 - 5000 psi (207-345 bars)	14 - 20 gpm (53-76 l/min.)	No

Grapple cylinder maximum flow will theoretically produce a complete grapple open/close cycle in 4 seconds.



Options:

- Load Holding valve (20 lbs / 9 kg)
- See also RLP-902 Option for more options
- 
- 

web site: [www.rotobec.com](http://www.rotobec.com)

email: [rotobec@rotobec.com](mailto:rotobec@rotobec.com)

**Rotobec Inc.:** Head office serving OEM's and Eastern Canada Ph: (418) 383-3002 Fax: (418) 383-5334  
**Rotobec West:** Branch serving Western Canada and Western USA Ph: (250) 765-1161 Fax: (250) 765-0035  
**Rotobec USA:** Branch serving Eastern and Central USA Ph: (603) 444-2103 Fax: (603) 444-0327