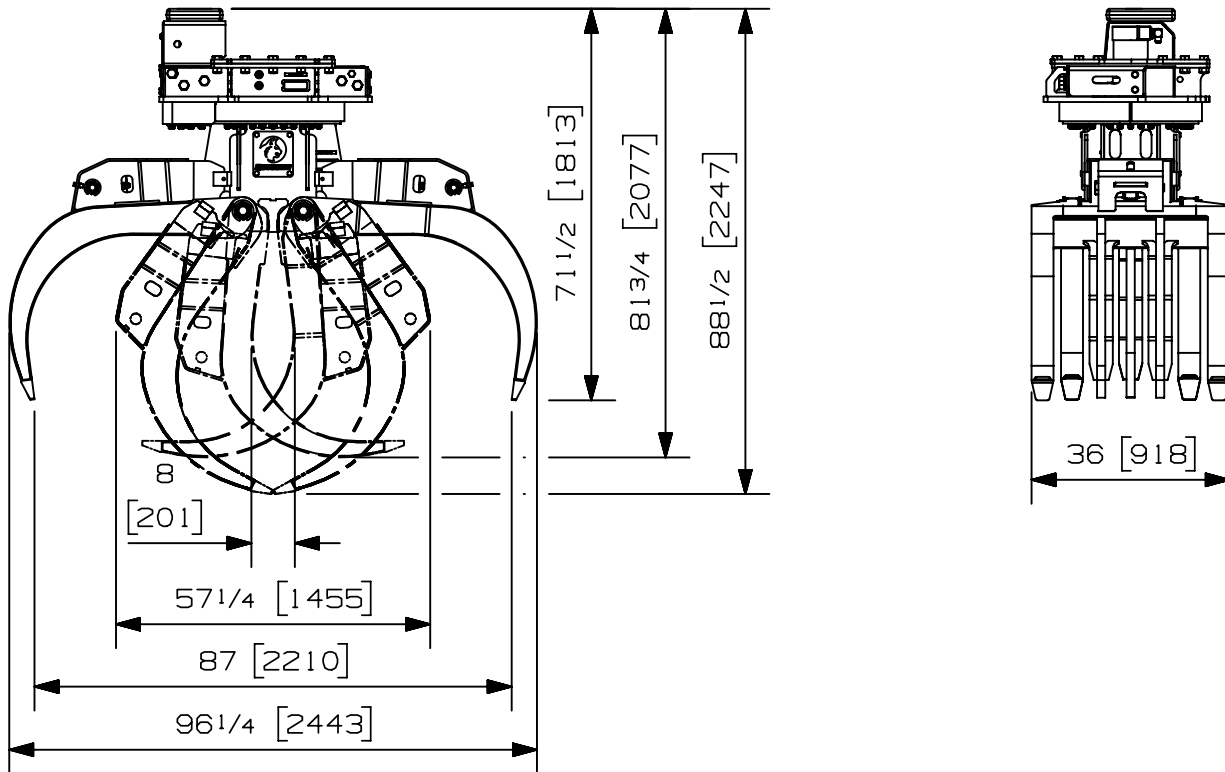


Max load:	- lb	- kg
Volume:	.50 cord of 8 ft	1.81 m <sup>3</sup>
Area tip to tip:	8.00 ft <sup>2</sup>	.74 m <sup>2</sup>
Rotator lifting capacity:	90000 lb	40823 kg
Torque at relief pressure:	148710 lb-in	16802 Nm
	2200 psi	152 bars
Weight:	3125 lb	1417 kg

Rotator	Maximum pressure: 5000 psi	345 bars	Recommended flow: 28 gpm	106 l/min
Rotator recommended flow will produce a maximum speed of 15 rpm				

Cylinder	Diameter	Recommended pressure	Pressure range	Flow range	Lock valves
Standard	4 " (102 mm)	4000 psi (276 bars)	3000 - 5000 psi (207-345 bars)	14 - 21 gpm (53-79 l/min.)	No

Grapple cylinder maximum flow will theoretically produce a complete grapple open/close cycle in 4 seconds.



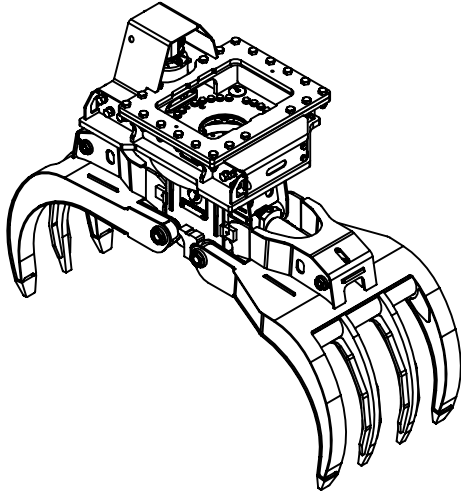
Options:

- Mini heel set (76 lbs / 34 kg)
- Load holding valve (20 lbs / 9 kg)
- See also RGP-900 Option for more options

web site: [www.rotobec.com](http://www.rotobec.com)

email: [rotobec@rotobec.com](mailto:rotobec@rotobec.com)

Rotobec Inc.: Head office serving OEM's and Eastern Canada Ph: (418) 383-3002 Fax: (418) 383-5334  
 Rotobec West: Branch serving Western Canada and Western USA Ph: (250) 765-1161 Fax: (250) 765-0035  
 Rotobec USA: Branch serving Eastern and Central USA Ph: (603) 444-2103 Fax: (603) 444-0327

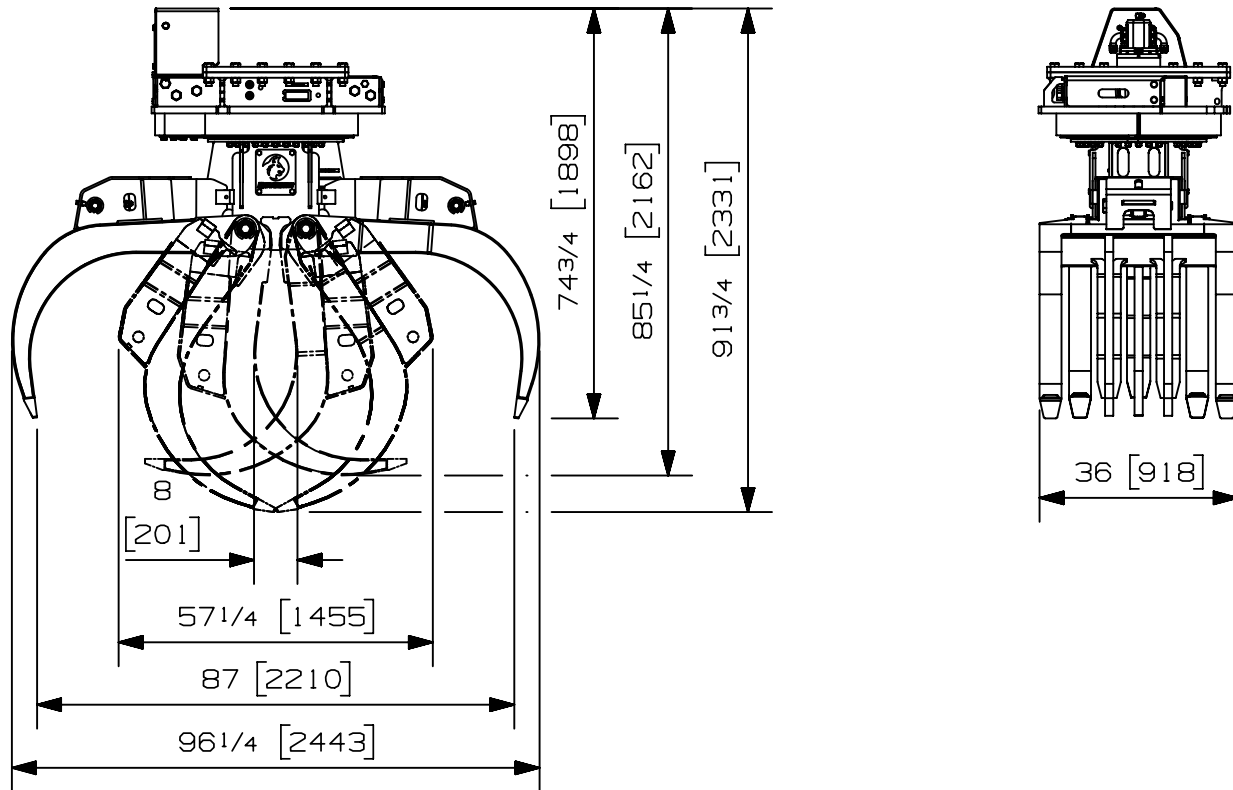


<b>Max load:</b>	- lb	- kg
<b>Volume:</b>	.50 cord of 8 ft	1.81 m <sup>3</sup>
<b>Area tip to tip:</b>	8.00 ft <sup>2</sup>	.74 m <sup>2</sup>
<b>Rotator lifting capacity:</b>	130000 lb	58967 kg
<b>Torque at relief pressure:</b>	176750 lb-in 2200 psi	19970 Nm 152 bars
<b>Weight:</b>	3645 lb	1653 kg

<b>Rotator</b>	<b>Maximum pressure:</b> 5000 psi    345 bars	<b>Recommended flow:</b> 33 gpm    125 l/min
Rotator recommended flow will produce a maximum speed of 15 rpm		

Cylinder	Diameter	Recommended pressure	Pressure range	Flow range	Lock valves
Standard	4 " (102 mm)	4000 psi (276 bars)	3000 - 5000 psi (207-345 bars)	14 - 21 gpm (53-79 l/min.)	No

Grapple cylinder maximum flow will theoretically produce a complete grapple open/close cycle in 4 seconds.



**Options:**

- Mini heel set (76 lbs / 34 kg)
- Load holding valve (20 lbs / 9 kg)
- See also RGP-1300A Option for more options

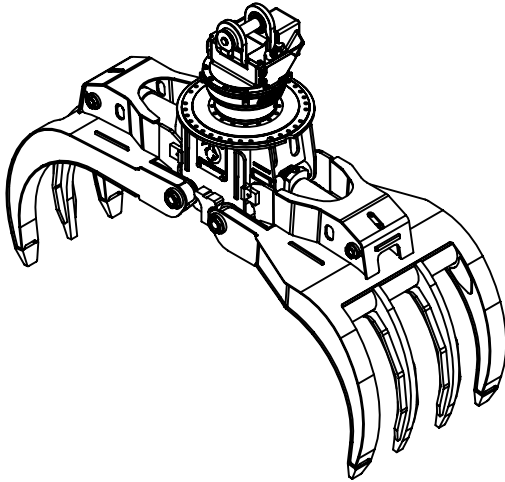
web site: [www.rotobec.com](http://www.rotobec.com)

email: [rotobec@rotobec.com](mailto:rotobec@rotobec.com)

**Rotobec Inc.:** Head office serving OEM's and Eastern Canada    Ph: (418) 383-3002 Fax: (418) 383-5334  
**Rotobec West:** Branch serving Western Canada and Western USA    Ph: (250) 765-1161 Fax: (250) 765-0035  
**Rotobec USA:** Branch serving Eastern and Central USA    Ph: (603) 444-2103 Fax: (603) 444-0327

We reserve the right to change specifications and to improve our products without notice or obligation.

07006-2586  
 11/12/2019 D.L.

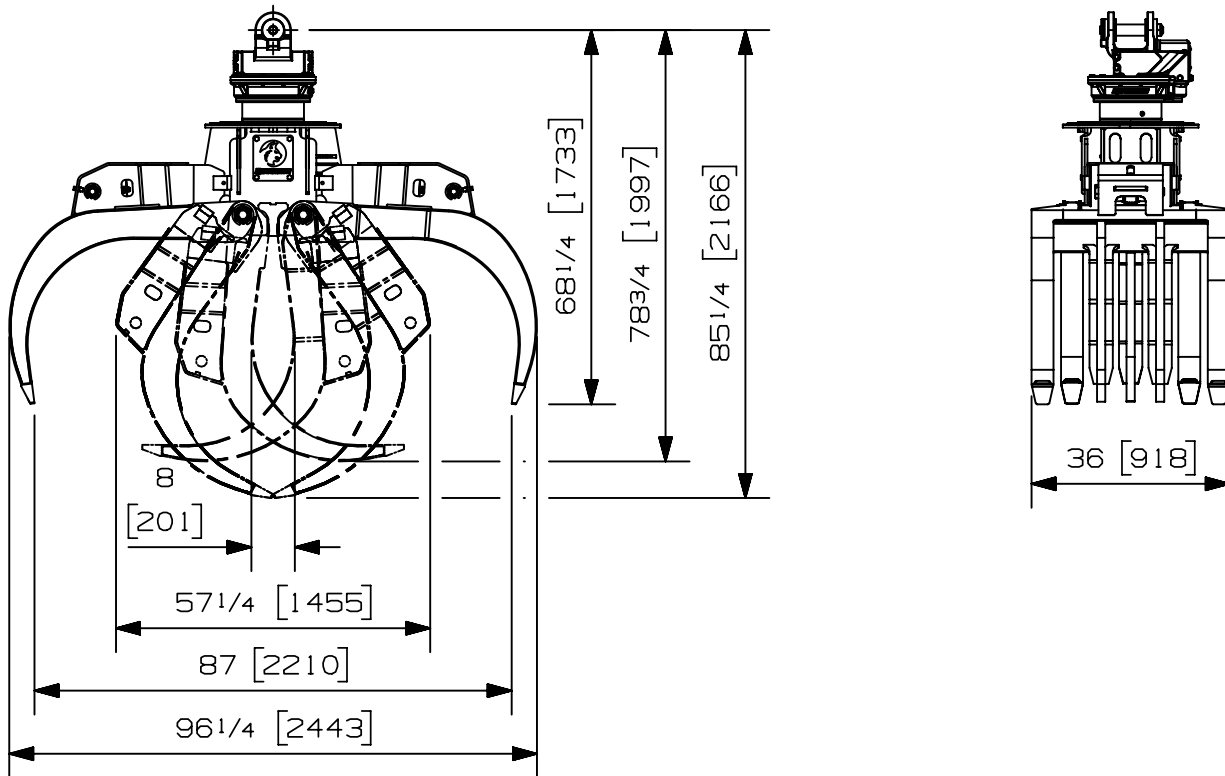


<b>Max load:</b>	- lb	- kg
<b>Volume:</b>	.50 cord of 8 ft	1.81 m <sup>3</sup>
<b>Area tip to tip:</b>	8.00 ft <sup>2</sup>	.74 m <sup>2</sup>
<b>Rotator lifting capacity:</b>	50000 lb	22680 kg
<b>Torque at relief pressure:</b>	18630 lb-in	2105 Nm
	1450 psi	100 bars
<b>Weight:</b>	2420 lb	1098 kg

<b>Rotator</b>	<b>Maximum pressure:</b> 5000 psi    345 bars	<b>Recommended flow:</b> 9 gpm    34 l/min
Rotator recommended flow will produce a maximum speed of 25 rpm		

Cylinder	Diameter	Recommended pressure	Pressure range	Flow range	Lock valves
Standard	4 " (102 mm)	4000 psi (276 bars)	3000 - 5000 psi (207-345 bars)	14 - 21 gpm (53-79 l/min.)	No

Grapple cylinder maximum flow will theoretically produce a complete grapple open/close cycle in 4 seconds.



**Options:**

- Mini heel set (76 lbs / 34 kg)
- Load holding valve (20 lbs / 9 kg)
- 
- 

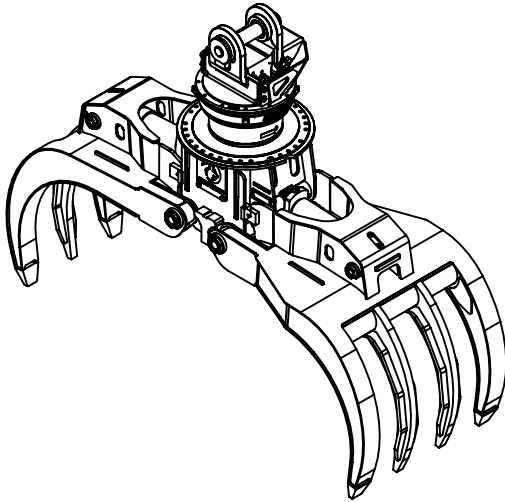
web site: [www.rotobec.com](http://www.rotobec.com)

email: [rotobec@rotobec.com](mailto:rotobec@rotobec.com)

**Rotobec Inc.:** Head office serving OEM's and Eastern Canada    Ph: (418) 383-3002 Fax: (418) 383-5334  
**Rotobec West:** Branch serving Western Canada and Western USA    Ph: (250) 765-1161 Fax: (250) 765-0035  
**Rotobec USA:** Branch serving Eastern and Central USA    Ph: (603) 444-2103 Fax: (603) 444-0327

We reserve the right to change specifications and to improve our products without notice or obligation.

07008-0679  
 13/12/19 D.L.

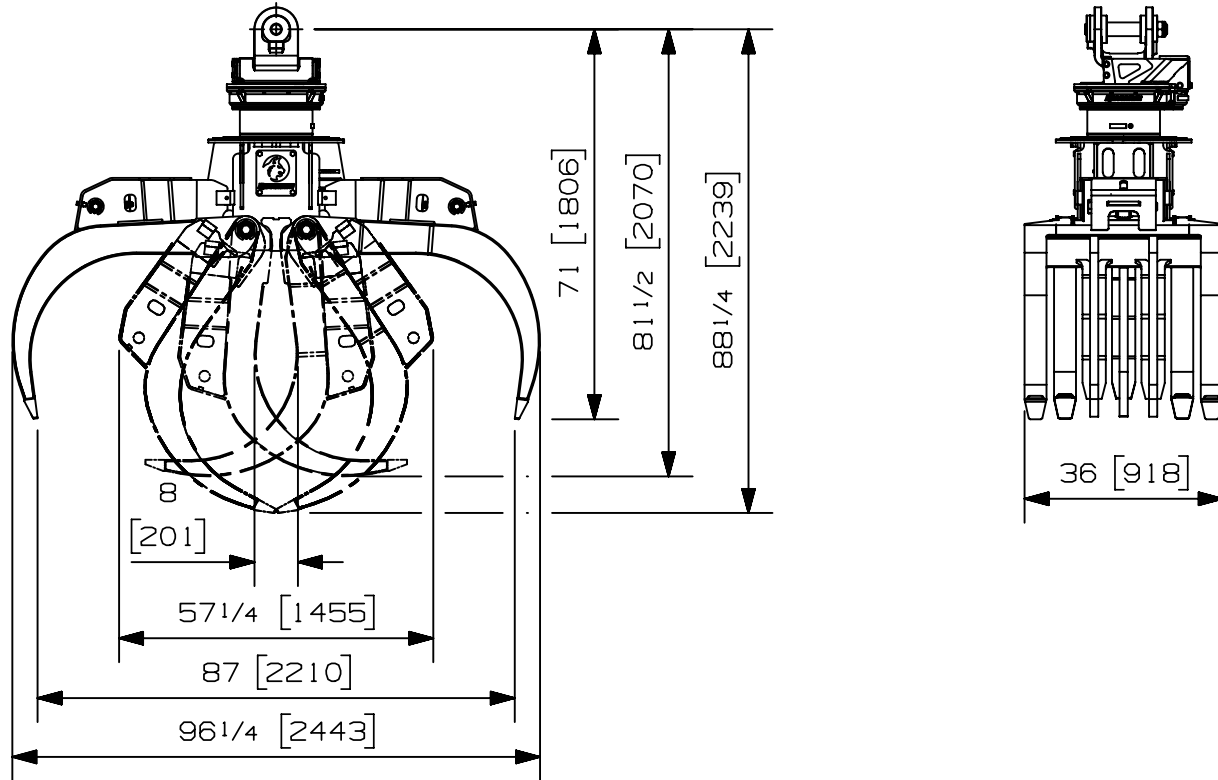


<b>Max load:</b>	- lb	- kg
<b>Volume:</b>	.50 cord of 8 ft	1.81 m <sup>3</sup>
<b>Area tip to tip:</b>	8.00 ft <sup>2</sup>	.74 m <sup>2</sup>
<b>Rotator lifting capacity:</b>	100000 lb	45359 kg
<b>Torque at relief pressure:</b>	22360 lb-in	2526 Nm
	1450 psi	100 bars
<b>Weight:</b>	2660 lb	1207 kg

<b>Rotator</b>	<b>Maximum pressure:</b> 5000 psi    345 bars	<b>Recommended flow:</b> 8 gpm    30 l/min
Rotator recommended flow will produce a maximum speed of 20 rpm		

Cylinder	Diameter	Recommended pressure	Pressure range	Flow range	Lock valves
Standard	4 " (102 mm)	4000 psi (276 bars)	3000 - 5000 psi (207-345 bars)	14 - 21 gpm (53-79 l/min.)	No

Grapple cylinder maximum flow will theoretically produce a complete grapple open/close cycle in 4 seconds.



**Options:**

- Mini heel set (76 lbs / 34 kg)
- Load holding valve (20 lbs / 9 kg)
- 
- 

web site: [www.rotobec.com](http://www.rotobec.com)

email: [rotobec@rotobec.com](mailto:rotobec@rotobec.com)

**Rotobec Inc.:** Head office serving OEM's and Eastern Canada    Ph: (418) 383-3002 Fax: (418) 383-5334  
**Rotobec West:** Branch serving Western Canada and Western USA    Ph: (250) 765-1161 Fax: (250) 765-0035  
**Rotobec USA:** Branch serving Eastern and Central USA    Ph: (603) 444-2103 Fax: (603) 444-0327

We reserve the right to change specifications and to improve our products without notice or obligation.

07008-0680  
13/12/19 D.L.