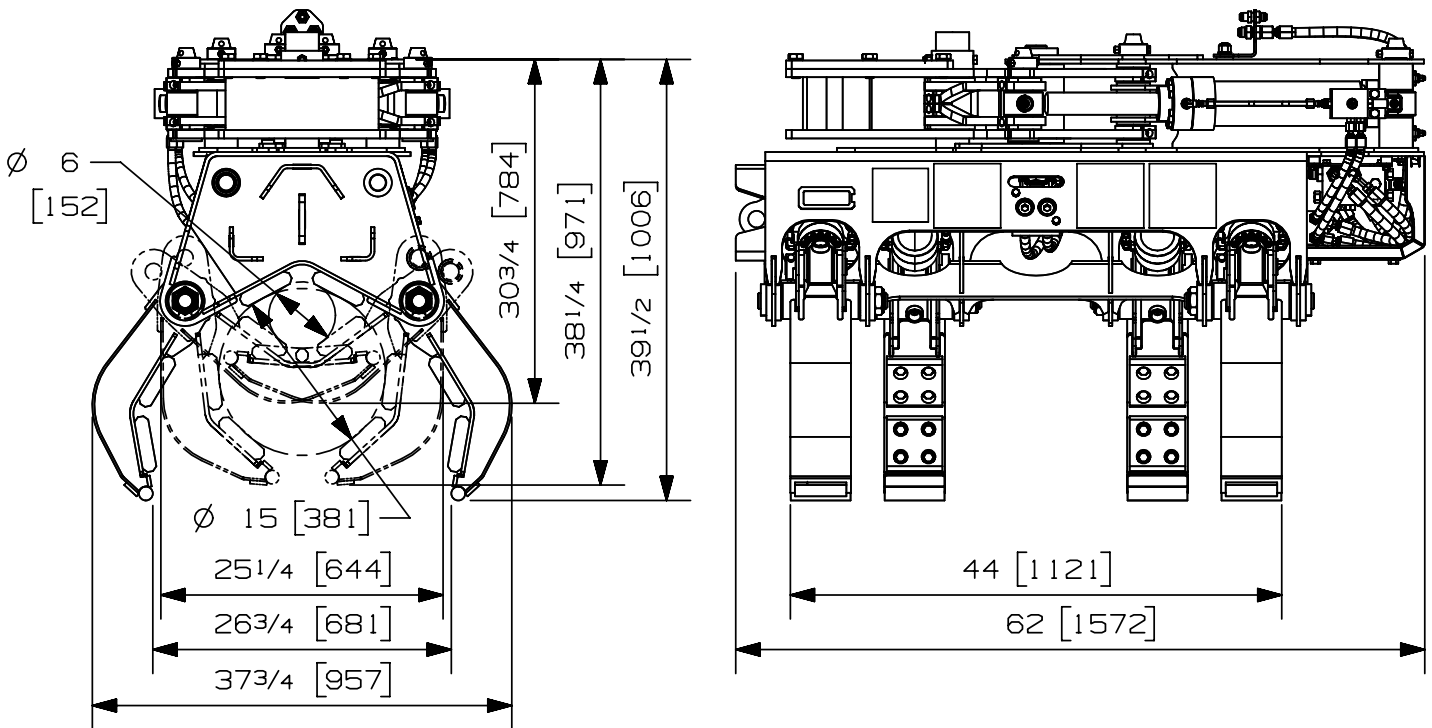


Max load:	n/a lb	n/a kg
Volume:	n/a y ³	n/a m ³
Area tip to tip:	n/a ft ²	n/a m ²
Rotator lifting capacity:	n/a lb	n/a kg
Torque at relief pressure:	23665 ft-lb 5000 psi	32085 Nm 345 bars
Weight:	1610 lb	730 kg

Rotator	Maximum pressure:	n/a psi	n/a bars	Recommended flow:	n/a gpm	n/a l/min
Rotator recommended flow will produce a speed of 0 rpm						

Cylinder	Diameter	Recommended pressure	Pressure range	Flow range	Lock valves
GRAPPLE	2 1/2 " (64 mm)	4250 psi (293 bars)	3500-5000 psi (241-345 bars)	5-7 gpm (19-26 l/min.)	yes
TILT	3 " (76 mm)	4250 psi (293 bars)	3500-5000 psi (241-345 bars)	3-4 gpm (11-15 l/min.)	yes

Grapple cylinder maximum flow will theoretically produce a complete grapple open/close cycle in 6 seconds.



Options:

-
-
-
-

web site: www.rotobec.com

email: rotobec@rotobec.com

Rotobec Inc.: Head office serving OEM's and Eastern Canada Ph: (418) 383-3002 Fax: (418) 383-5334
Rotobec West: Branch serving Western Canada and Western USA Ph: (250) 765-1161 Fax: (250) 765-0035
Rotobec USA: Branch serving Eastern and Central USA Ph: (603) 444-2103 Fax: (603) 444-0327

We reserve the right to change specifications and to improve our products without notice or obligation.

07005-8144
14/10/16 D.L.