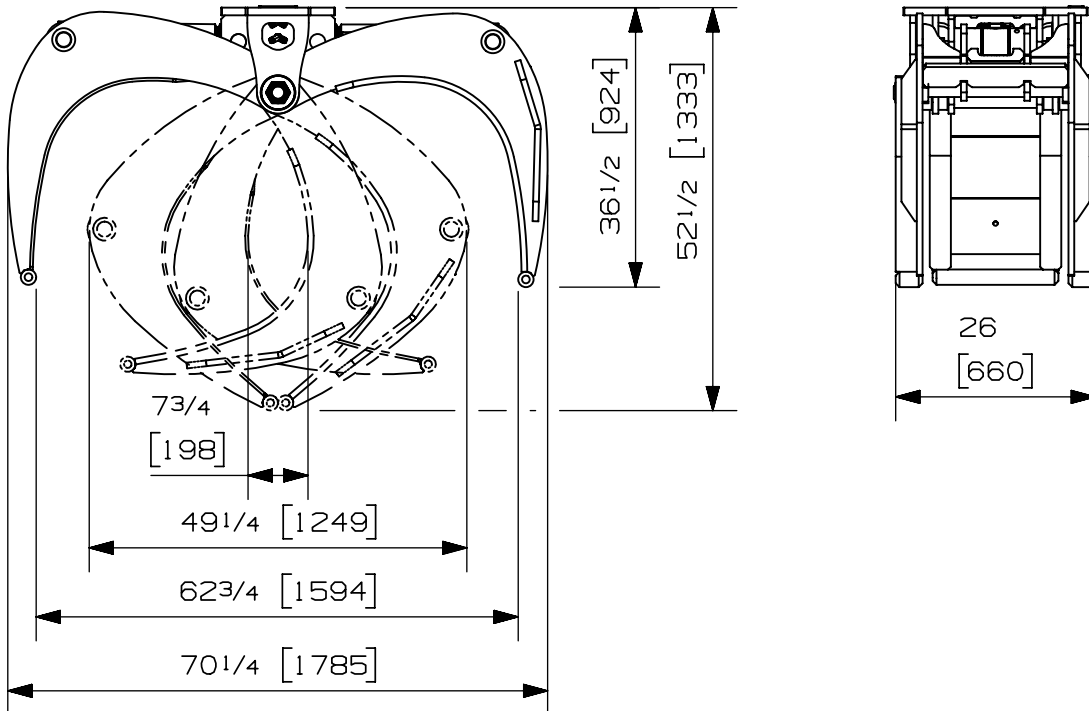


<b>Max load:</b>	n/a lb	n/a kg
<b>Volume:</b>	n/a y <sup>3</sup>	n/a m <sup>3</sup>
<b>Area tip to tip:</b>	5.38 ft <sup>2</sup>	.50 m <sup>2</sup>
<b>Rotator lifting capacity:</b>	- lb	- kg
<b>Torque at relief pressure:</b>	- lb-in	- Nm
	- psi	- bars
<b>Weight:</b>	1200 lb	544 kg

<b>Rotator</b>	<b>Maximum pressure:</b>	- psi	- bars	<b>Recommended flow:</b>	- gpm	- l/min
Rotator recommended flow will produce a speed of 0 rpm						

Cylinder	Diameter	Recommended pressure	Pressure range	Flow range	Lock valves
Standard	3 1/2 " (89 mm)	4050 psi (279 bars)	3600-4500 psi (248-310 bars)	17-26 gpm (64-98 l/min.)	Yes
Option	4 " (102 mm)	3050 psi (210 bars)	2500-3600 psi (172-248 bars)	23-35 gpm (87-132 l/min.)	Yes

Grapple cylinder maximum flow will theoretically produce a complete grapple open/close cycle in 4 seconds.



Options:

web site: [www.rotobec.com](http://www.rotobec.com)

email: [rotobec@rotobec.com](mailto:rotobec@rotobec.com)

**Rotobec Inc.:** Head office serving OEM's and Eastern Canada Ph: (418) 383-3002 Fax: (418) 383-5334  
**Rotobec West:** Branch serving Western Canada and Western USA Ph: (250) 765-1161 Fax: (250) 765-0035  
**Rotobec USA:** Branch serving Eastern and Central USA Ph: (603) 444-2103 Fax: (603) 444-0327

We reserve the right to change specifications and to improve our products without notice or obligation.

C-07008-2112  
03/04/13 D.L.