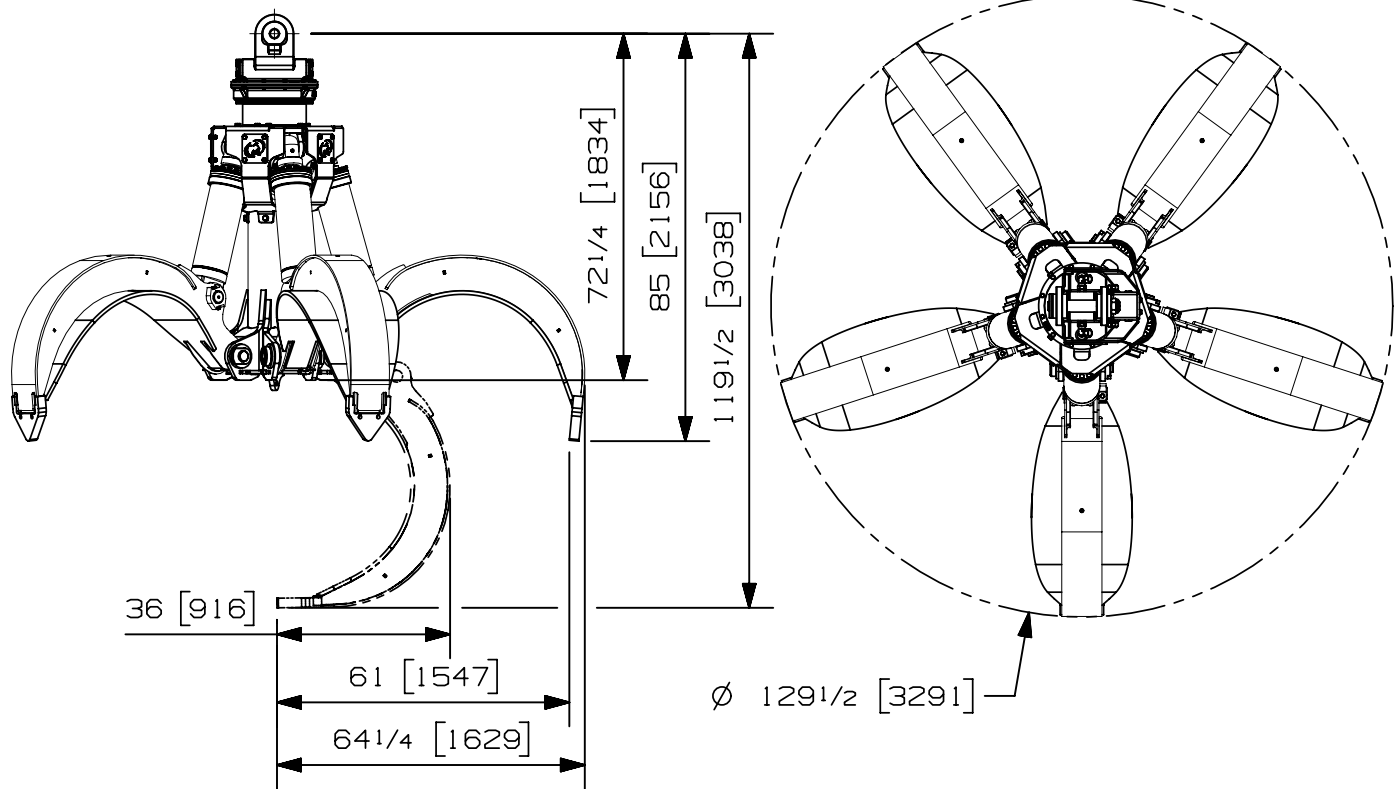


Max load:	n/a lb	n/a kg
Volume:	2.15 y <sup>3</sup>	1.60 m <sup>3</sup>
Area tip to tip:	n/a ft <sup>2</sup>	n/a m <sup>2</sup>
Rotator lifting capacity:	100000 lb	45359 kg
Torque at relief pressure:	22360 lb-in	2526 Nm
	1450 psi	100 bars
Weight:	6180 lb	2803 kg

Rotator	Maximum pressure: 5000 psi	345 bars	Recommended flow: 8 gpm	30 l/min
Rotator recommended flow will produce a speed of 20 rpm				

Cylinder	Diameter	Recommended pressure	Pressure range	Flow range	Lock valves
Standard	3 1/2 " (89 mm)	4300 psi (296 bars)	3600-5000 psi (248-345 bars)	46-62 gpm (174-235 l/min.)	no

Grapple cylinder maximum flow will theoretically produce a complete grapple open/close cycle in 6 seconds.



Options:

- 
- 
- 
- 

web site: [www.rotobec.com](http://www.rotobec.com)

email: [rotobec@rotobec.com](mailto:rotobec@rotobec.com)

**Rotobec Inc.:** Head office serving OEM's and Eastern Canada Ph: (418) 383-3002 Fax: (418) 383-5334  
**Rotobec West:** Branch serving Western Canada and Western USA Ph: (250) 765-1161 Fax: (250) 765-0035  
**Rotobec USA:** Branch serving Eastern and Central USA Ph: (603) 444-2103 Fax: (603) 444-0327

We reserve the right to change specifications and to improve our products without notice or obligation.

07008-1909  
26/03/18 J-M.L.