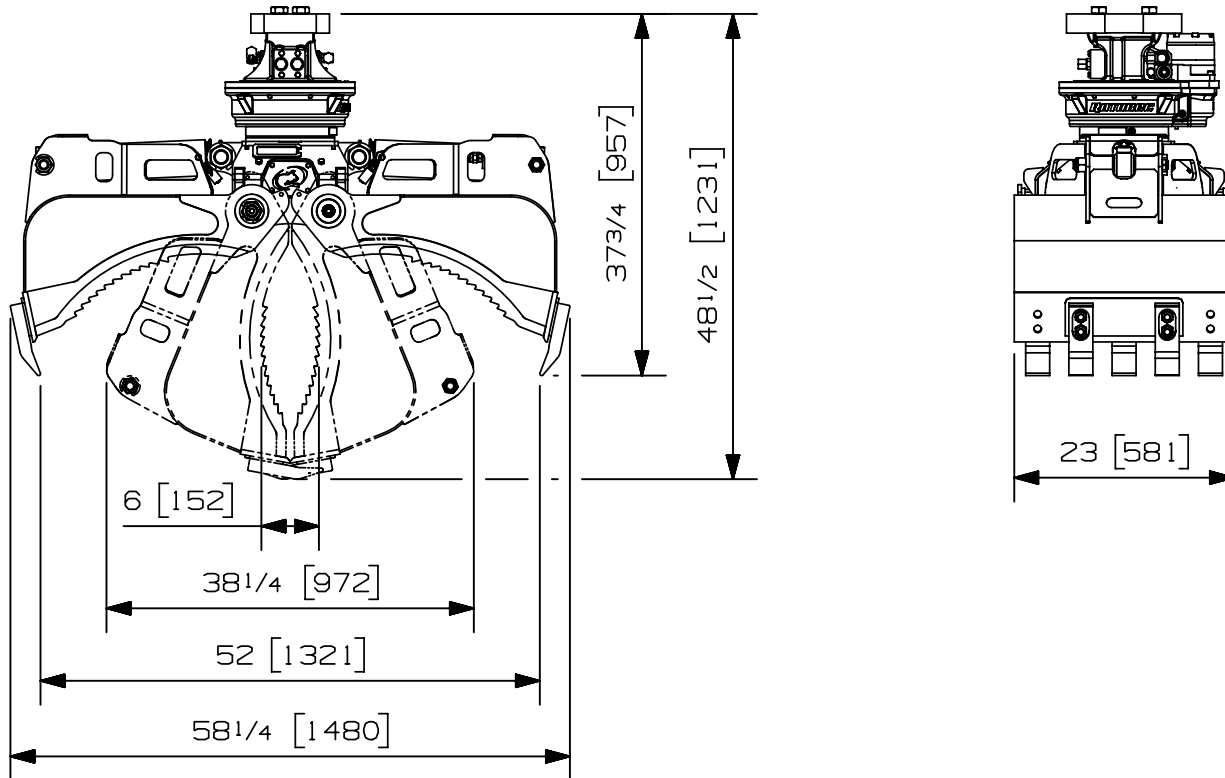


Max load:	- lb	- kg
Volume:	.18 y <sup>3</sup>	.14 m <sup>3</sup>
Area tip to tip:	- ft <sup>2</sup>	- m <sup>2</sup>
Rotator lifting capacity:	25000 lb	11340 kg
Torque at relief pressure:	15720 lb-in 913 psi	1776 Nm 63 bars
Weight:	825 lb	374 kg

Rotator	Maximum pressure: 4200 psi    290 bars	Recommended flow: 10 gpm    38 l/min
Rotator recommended flow will produce a maximum speed of 21 rpm		

Cylinder	Diameter	Recommended pressure	Pressure range	Flow range	Lock valves
Standard	3 " (76 mm)	3700 psi (255 bars)	3200 - 4200 psi (221-290 bars)	9 - 13 gpm (34-49 l/min.)	No

Grapple cylinder maximum flow will theoretically produce a complete grapple open/close cycle in 4 seconds.



Options:

- See also RGP-252 Option for more options
- 
- 
- 

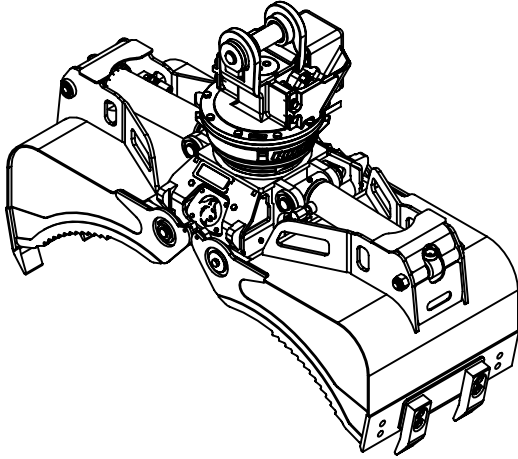
web site: [www.rotobec.com](http://www.rotobec.com)

email: [rotobec@rotobec.com](mailto:rotobec@rotobec.com)

**Rotobec Inc.:** Head office serving OEM's and Eastern Canada    Ph: (418) 383-3002 Fax: (418) 383-5334  
**Rotobec West:** Branch serving Western Canada and Western USA    Ph: (250) 765-1161 Fax: (250) 765-0035  
**Rotobec USA:** Branch serving Eastern and Central USA    Ph: (603) 444-2103 Fax: (603) 444-0327

We reserve the right to change specifications and to improve our products without notice or obligation.

07000-5957  
06/11/2019 D.L.

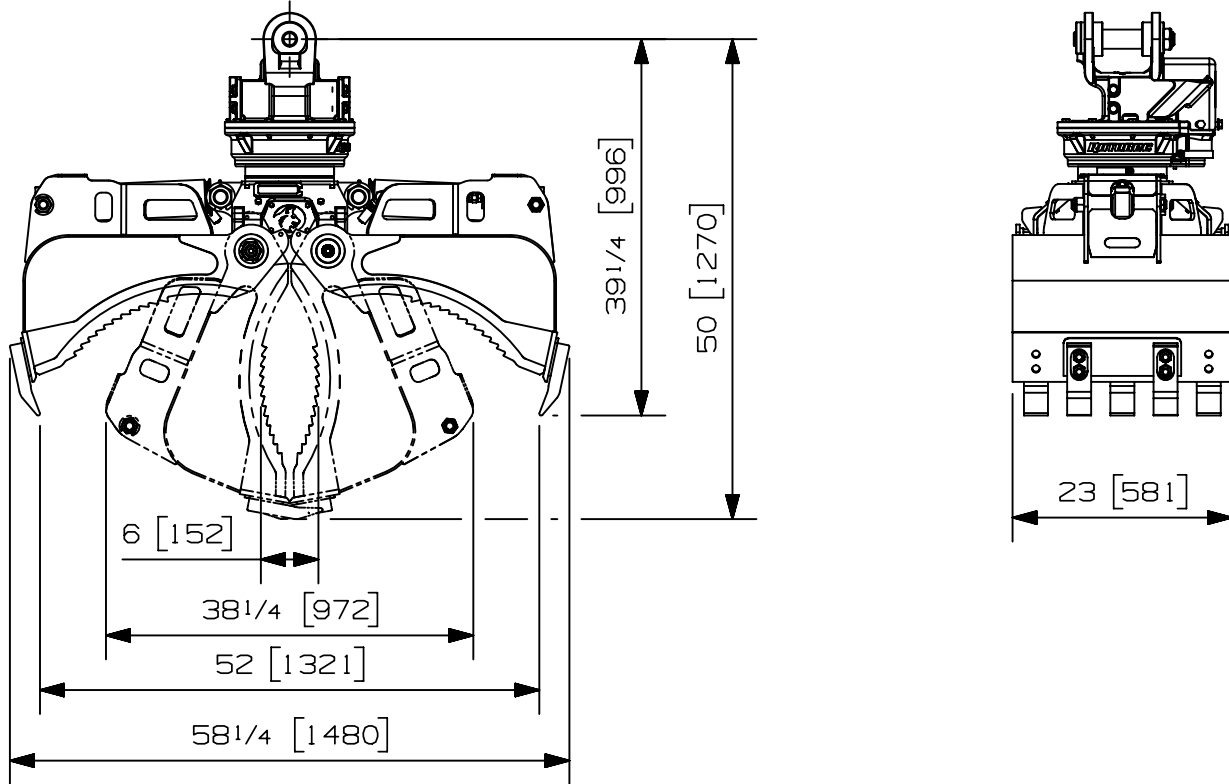


Max load:	- lb	- kg
Volume:	.18 y <sup>3</sup>	.14 m <sup>3</sup>
Area tip to tip:	- ft <sup>2</sup>	- m <sup>2</sup>
Rotator lifting capacity:	25000 lb	11340 kg
Torque at relief pressure:	16150 lb-in 1450 psi	1825 Nm 100 bars
Weight:	825 lb	374 kg

Rotator	Maximum pressure: 5000 psi    345 bars	Recommended flow: 9 gpm    34 l/min
Rotator recommended flow will produce a maximum speed of 30 rpm		

Cylinder	Diameter	Recommended pressure	Pressure range	Flow range	Lock valves
Standard	3 " (76 mm)	3700 psi (255 bars)	3200 - 4200 psi (221-290 bars)	9 - 13 gpm (34-49 l/min.)	No

Grapple cylinder maximum flow will theoretically produce a complete grapple open/close cycle in 4 seconds.



Options:

- 
- 
- 
- 

web site: [www.rotobec.com](http://www.rotobec.com)

email: [rotobec@rotobec.com](mailto:rotobec@rotobec.com)

Rotobec Inc.: Head office serving OEM's and Eastern Canada    Ph: (418) 383-3002 Fax: (418) 383-5334  
 Rotobec West: Branch serving Western Canada and Western USA    Ph: (250) 765-1161 Fax: (250) 765-0035  
 Rotobec USA: Branch serving Eastern and Central USA    Ph: (603) 444-2103 Fax: (603) 444-0327

We reserve the right to change specifications and to improve our products without notice or obligation.

07011-2107  
15/04/22 M.R.